

DEWALT Battery and Charger Systems											
Batt. Model#	Output Volts	Chargers/Charge Time - Chargeurs/Durée de charge (Minutes) - Cargadores de baterías/Tiempo de carga (Minutos)									
		120 Volts									12 Volts
		DW9106	DW9118	DW9107	DW9108	DW9116	DW9117	DW911	DW0249	DW0246	DW9109
DW0242	24	X	X	X	X	X	X	X	60	60	X
DW9096	18	X	X	X	60	60	20	60	X	X	60
DW9098	18	X	X	X	30	30	12	30	X	X	30
DW9099	18	X	X	X	45	45	15	45	X	X	45
DW9091	14.4	60	90	45	45	45	15	45	X	X	45
DW9094	14.4	45	60	30	30	30	12	30	X	X	30
DW9071	12	60	90	45	45	45	15	45	X	X	45
DW9072	12	45	60	30	30	30	12	30	X	X	30
DW9050	12	40	X	X	X	X	X	X	X	X	X
DW9061	9.6	60	90	45	45	45	15	45	X	X	45
DW9062	9.6	45	60	30	30	30	12	30	X	X	30
DW9048	9.6	40	X	X	X	X	X	X	X	X	X
DW9057	7.2	45	60	30	30	30	12	30	X	X	30

X Indicates that the battery pack is not compatible with that specific charger.
 X indique que le bloc-piles n'est pas compatible avec ce chargeur.
 Una "X" indica que el paquete de baterías no es compatible con ese determinado cargador..

All charge times are approximate. Actual charge time may vary. Read the instruction manual for more specific information.
Les durées de charge sont approximatives; la durée de charge réelle peut varier. Lire le manuel d'utilisation pour obtenir des renseignements plus précis.
El tiempo de duración de carga es aproximado; la duración de carga real puede variar. Lea el manual de instrucciones para obtener información más precisa.

DEWALT Industrial Tool Co., 701 East Joppa Road, Baltimore, MD 21286 (JAN03) Form No. 393343-01 D902, etc.

Copyright © 2003

The following are trademarks for one or more DEWALT power tools: the yellow and black color scheme; the "D" shaped air intake grill; the array of pyramids on the handgrip; the kit box configuration; and the array of lozenge-shaped humps on the surface of the tool.

Questions? See us on the World Wide Web at www.dewalt.com

**INSTRUCTION MANUAL
GUIDE D'UTILISATION
MANUAL DE INSTRUCCIONES**

INSTRUCTIVO DE OPERACIÓN, CENTROS DE SERVICIO Y PÓLIZA DE GARANTÍA. **ADVERTENCIA:** LÉASE ESTE INSTRUCTIVO ANTES DE USAR EL PRODUCTO.

DEWALT®

DW902, DW904, DW906, DW908

Heavy Duty Flashlights

Lampes de travail

Linternas de trabajo inalámbricas

English

IF YOU HAVE ANY QUESTIONS OR COMMENTS ABOUT THIS OR ANY DEWALT TOOL, CALL US TOLL FREE AT:

1-800-4-DEWALT (1-800-433-9258)

General Safety Rules – For All Battery Operated Tools

⚠ WARNING! Read and understand all instructions. Failure to follow all instructions listed below may result in electric shock, fire and/or serious personal injury.

SAVE THESE INSTRUCTIONS

WORK AREA

- **Keep your work area clean and well lit.** Cluttered benches and dark areas invite accidents.
- **Do not operate power tools in explosive atmospheres, such as in the presence of flammable liquids, gases, or dust.** Power tools create sparks which may ignite the dust or fumes.
- **Keep bystanders, children, and visitors away while operating a power tool.** Distractions can cause you to lose control.

ELECTRICAL SAFETY

- **Do not abuse the cord.** Never use the cord to carry the tool. Keep cord away from heat, oil, sharp edges or moving parts. Replace damaged cords immediately. Damaged cords may create a fire.
- **A battery operated tool with integral batteries or a separate battery pack must be recharged only with the specified charger for the battery.** A charger that may be suitable for one type of battery may create a risk of fire when used with another battery.
- **Use battery operated tool only with the specifically designated battery pack.** Use of any other batteries may create a risk of fire.

PERSONAL SAFETY

- **Stay alert, watch what you are doing and use common sense when operating a power tool.** Do not use tool while tired or under the influence of drugs, alcohol, or medication. A moment of inattention while operating power tools may result in serious personal injury.
- **Dress properly. Do not wear loose clothing or jewelry.** Contain long hair. Keep your hair, clothing, and gloves away from moving parts. Loose clothing, jewelry, or long hair can be caught in moving parts.
- **Avoid accidental starting. Be sure switch is in the locked or off position before inserting battery pack.** Carrying tools with your finger on the switch or inserting the battery pack into a tool with the switch on invites accidents.
- **Remove adjusting keys or wrenches before turning the tool on.** A wrench or a key that is left attached to a rotating part of the tool may result in personal injury.
- **Do not overreach.** Keep proper footing and balance at all times. Proper footing and balance enables better control of the tool in unexpected situations.
- **Use safety equipment. Always wear eye protection.** Dust mask, non-skid safety shoes, hard hat, or hearing protection must be used for appropriate conditions.

TOOL USE AND CARE

- **Use clamps or other practical way to secure and support the workpiece to a stable platform.** Holding the work by hand or against your body is unstable and may lead to a loss of control.
- **Do not force tool.** Use the correct tool for your application. The correct tool will do the job better and safer at the rate for which it is designed.
- **Do not use tool if switch does not turn it on or off.** A tool that cannot be controlled with the switch is dangerous and must be repaired.

- **Disconnect battery pack from tool or place the switch in the locked or off position before making any adjustments, changing accessories, or storing the tool.** Such preventative safety measures reduce the risk of starting the tool accidentally.
- **Store idle tools out of reach of children and other untrained persons.** Tools are dangerous in the hands of untrained users.
- **When battery pack is not in use, keep it away from other metal objects like: paper clips, coins, keys, nails, screws, or other small metal objects that can make a connection from one terminal to another.** Shorting the battery terminals together may cause sparks, burns, or a fire.
- **Maintain tools with care.** Keep cutting tools sharp and clean. Properly maintained tools, with sharp cutting edges are less likely to bind and are easier to control.
- **Check for misalignment or binding of moving parts, breakage of parts, and any other condition that may affect the tool's operation.** If damaged, have the tool serviced before using. Many accidents are caused by poorly maintained tools.
- **Use only accessories that are recommended by the manufacturer for your model.** Accessories that may be suitable for one tool, may create a risk of injury when used on another tool.

SERVICE

- **Tool service must be performed only by qualified repair personnel.** Service or maintenance performed by unqualified personnel may result in a risk of injury.
- **When servicing a tool, use only identical replacement parts.** Follow instructions in the Maintenance section of this manual. Use of unauthorized parts or failure to follow Maintenance Instructions may create a risk of shock or injury.

Safety Rules for Heavy Duty Flashlights

⚠ WARNING: DO NOT OPERATE FLASHLIGHT OR CHARGER NEAR FLAMMABLE LIQUIDS OR IN GASEOUS OR EXPLOSIVE ATMOSPHERES. INTERNAL SPARKS MAY IGNITE FUMES.

⚠ WARNING: Lens and bulb become hot during use.

- During or immediately after use, don't lay flashlight flat on lens surface.
- Don't touch lens surface when bulb is lit.
- Handle flashlight with care around any flammable surface.
- If bulb has been lit, let flashlight cool for several minutes before changing bulb.
- The label on your tool may include the following symbols.

- V.....volts
- A.....amperes
- Hz.....hertz
- Wwatts
- minminutes
- ~alternating current
- ====direct current
- n₀no load speed
-Class II Construction
- .../min.....revolutions or reciprocation per minute
- ⊖earthing terminal
- ⚠safety alert symbol

Important Safety Instructions for Battery Packs

The battery pack is not fully charged out of the carton! First read the safety instructions below. Then follow charging notes and procedures.

READ ALL INSTRUCTIONS

- **Do not incinerate the battery pack even if it is severely damaged or is completely worn out.** The battery pack can explode in a fire.
 - **A small leakage of liquid from the battery pack cells may occur under extreme usage or temperature conditions.** This does not indicate a failure. However, if the outer seal is broken and this leakage gets on your skin:
 - a. Wash quickly with soap and water.
 - b. Neutralize with a mild acid such as lemon juice or vinegar.
 - c. If battery liquid gets into your eyes, flush them with clean water for a minimum of 10 minutes and seek immediate medical attention. (**Medical note:** The liquid is 25-35% solution of potassium hydroxide.)
 - **Do not carry extra battery packs in aprons, pockets, or tool boxes along with other metal objects.** The battery pack could be short circuited causing damage to the battery pack and possibly causing severe burns or fire.
 - Charge the battery packs only in DEWALT chargers.
 - **NOTE:** The batteries in your battery pack are the nickel-cadmium type. Cadmium is considered to be a toxic material by the Environmental Protection Agency. Before disposing of damaged or worn out Nickel-Cadmium battery packs, check with your state Environmental Protection Agency to find out about special restrictions on the disposal of these battery packs or return them to a DEWALT certified service center for recycling.
 - **Do not store or use the tool and battery pack in locations where the temperature may reach or exceed 105°F (such as outside sheds or metal buildings in summer).**
- ⚠ **DANGER:** Never attempt to open the battery pack for any reason. If battery pack case is cracked or damaged, do not insert into charger. Electric shock or electrocution may result. Damaged battery packs should be returned to service center for recycling.

Batteries

Your tool uses an 18 Volt DEWALT battery pack. When ordering replacement battery packs, be sure to include catalog number and voltage: Extended Run-Time battery packs deliver 25% more run-time than standard battery packs. **NOTE:** Your tool will accept either standard or Extended Run Time battery packs.

NOTE: Battery storage and carrying caps are provided for use whenever the battery is out of the tool or charger. Remove cap before placing battery in charger or tool.

⚠ **WARNING: Do not store or carry battery so that metal objects can contact exposed battery terminals.** For example, do not place battery in aprons, pockets, tool boxes, product kit boxes, drawers, etc. with loose nails, screws, keys, etc. without battery cap. Without cap in place, battery could short circuit causing fire or burns or damage to battery.

**The RBRC™ Seal**

The RBRC™ (Rechargeable Battery Recycling Corporation) Seal on the nickel-cadmium battery (or battery pack) indicates that the costs to recycle the battery (or battery pack) at the end of its useful life have already been paid by DEWALT. In some areas, it is illegal to place spent nickel-cadmium batteries in the trash or municipal solid waste stream and the RBRC program provides an environmentally conscious alternative.

RBRC in cooperation with DEWALT and other battery users, has established programs in the United States to facilitate the collection of spent nickel-cadmium batteries. Help protect our environment and conserve natural resources by returning the spent nickel-cadmium battery to an authorized DEWALT service center or to your local retailer for recycling. You may also contact your local recycling center for information on where to drop off the spent battery.



Important Safety Instructions for Battery Chargers

SAVE THESE INSTRUCTIONS - This manual contains important safety instructions for DEWALT battery chargers.

- Before using battery charger, read all instructions and cautionary markings on battery charger, battery and product using battery.

⚠ **CAUTION:** To reduce the risk of injury, charge only DEWALT nickel cadmium rechargeable batteries. Other types of batteries may burst causing personal injury and damage.

⚠ **CAUTION:** Under certain conditions, with the charger plugged in to the power supply, the exposed charging contacts inside the charger can be shorted by foreign material. Foreign materials of a conductive nature such as, but not limited to, steel wool, aluminum foil, or any buildup of metallic particles should be kept away from charger cavities. Always unplug the charger from the power supply when there is no battery pack in the cavity. Unplug charger before attempting to clean.

⚠ **DANGER:** 120 volts are present at charging terminals. Do not probe with conductive objects. Electric shock or electrocution may result.

⚠ **WARNING:** Do not allow any liquid to get inside charger. Electric shock may result.

- **DO NOT attempt to charge the battery pack with any chargers other than the ones in this manual.** The charger and battery pack are specifically designed to work together.
- **These chargers are not intended for any uses other than charging DEWALT rechargeable batteries.** Any other uses may result in risk of fire, electric shock or electrocution.
- **Pull by plug rather than cord when disconnecting charger.** This will reduce risk of damage to electric plug and cord.

- **Make sure cord is located so that it will not be stepped on, tripped over, or otherwise subjected to damage or stress.**
- **Do not use an extension cord unless it is absolutely necessary.** Use of an improper extension cord could result in risk of fire, electric shock, or electrocution.
- **An extension cord must have adequate wire size (AWG or American Wire Gauge) for safety.** The smaller the gauge number of the wire, the greater the capacity of the cable, that is 16 gauge has more capacity than 18 gauge. When using more than one extension to make up the total length, be sure each individual extension contains at least the minimum wire size.

Recommended Minimum AWG Size for Extension Cords

Total Extension Cord Length (feet)		25	50	75	100	125	150	175
Wire Gauge		18	18	16	16	14	14	12

- **Do not place any object on top of charger or place the charger on a soft surface that might block the ventilation slots and result in excessive internal heat. Place the charger in a position away from any heat source.** The charger is ventilated through slots in the top and the bottom of the housing.
- **Do not operate charger with a damaged cord or plug** — have them replaced immediately.
- **Do not operate the charger if it has received a sharp blow, been dropped, or otherwise damaged in any way.** Take it to an authorized service center.
- **Do not disassemble charger. Take it to an authorized service center when service or repair is required.** Incorrect reassembly may result in a risk of electric shock, electrocution or fire.
- **Disconnect the charger from the outlet before attempting any cleaning. This will reduce the risk of electric shock.**

- Removing the battery pack will not reduce this risk.
- **NEVER** attempt to connect 2 chargers together.
 - **The charger is designed to operate on standard household electrical power (120 Volts AC). Do not attempt to use it on any other voltage. This does not apply to vehicular charger.**

Chargers

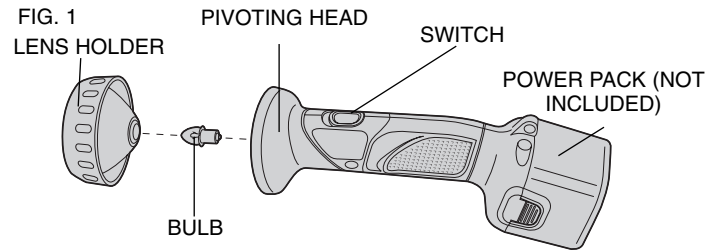
Your battery can be charged in DEWALT 1 Hour Chargers, 15 Minute Chargers or Vehicular 12 volt charger. Be sure to read all safety instructions before using your charger.

Consult chart on back cover for compatibility of chargers and battery packs.

Using Tune-Up™ Mode

The Tune-up™ mode will equalize or balance the individual cells in the battery pack at its peak capacity. This cycle takes up to 8 hours to complete. Battery packs should be tuned up weekly or after 10 to 20 charge/discharge cycles or whenever the pack no longer delivers the same amount of work.

1. To tune up your battery pack, place the battery in the charger as usual. The red light will blink continuously indicating that the charge cycle has started.
2. The Tune-up™ Button may be pressed at any time after the charge has started. The red light will stop blinking momentarily, blink quickly 3 times, and then resume blinking continuously. The charger is now giving your batteries a tune-up.
3. When the charge cycle has completed, the light will stay on continuously. The pack is fully charged and may be used at this time or left in the charger.
4. If you select Tune-up™ and then change your mind, remove the battery from the charger. After 5 seconds, insert the battery into the charger. The normal charge cycle will commence.



Charging Procedure

1 HOUR CHARGERS

1. Plug the charger into an appropriate power outlet.
2. Insert the battery pack into the charger, as shown in FIG.1, making sure the pack is fully seated in the charger. The red (charging) light will blink continuously indicating that the charging process has started.
3. The battery pack will be fully charged in about 1 hour. The completion of charge will be indicated by the red light remaining ON continuously. The pack is fully charged and may be used at this time or left in the charger.

TROUBLE INDICATORS

Some chargers are designed to detect certain problems that can arise with battery packs. Problems are indicated by the red light flashing at a fast rate. If this occurs, re-insert battery pack into the charger. If the problem persists, try a different battery pack to determine if the charger is OK. If the new pack charges correctly, then the original pack is defective and should be returned to a service center or other collection site for recycling. If the new battery pack elicits the same trouble indication as the original, have the charger tested at an authorized service center.

PROBLEM POWER LINE

Some chargers have a Problem Power Line indicator. When the charger is used with some portable power sources such as generators or sources that convert DC to AC, the charger may temporarily suspend operation, **flashing the red light with two fast blinks followed by a pause**. This indicates the power source is out of limits.

HOT/COLD PACK DELAY

Some chargers have a Hot/Cold Pack Delay feature: when the charger detects a battery that is hot, it automatically starts a Hot Pack Delay, suspending charging until the battery has cooled. After the battery has cooled, the charger automatically switches to the Pack Charging mode. This feature ensures maximum battery life. The red light flashes long, then short while in the Hot Pack Delay mode.

15 MINUTE CHARGERS

1. Plug the charger into an appropriate power outlet. The charger will beep twice, the red light will blink and go off.
2. Insert the battery pack into the charger, as shown in FIG. 1, making sure the pack is fully seated in the charger. The red light will blink and the charger will beep once indicating the charging process has started.
3. The battery pack will be fully charged in less than 15 minutes under most conditions. This will be indicated by the red light remaining on and 3 beeps. The pack is fully charged and may be used at this time or left in the charger.

ALL CHARGERS

Leaving the battery pack in the charger: When the red light remains on, the charger has switched to its "equalize charge" mode which lasts approximately 4 hours, after which the charger will switch to "maintenance charge" mode. The battery pack can be removed at any time during these charge cycles, but will only be

fully charged if the red light is continuously on. The charger and battery pack can be left connected with the red light glowing indefinitely. The charger will keep the battery pack fresh and fully charged. A battery pack will slowly lose its charge when kept out of the charger. If the battery pack has not been kept on maintenance charge, it may need to be recharged before use. A battery pack may also slowly lose its charge if left in a charger that is not plugged into an appropriate AC source.

WEAK BATTERY PACKS: Chargers can also detect a weak battery. Such batteries are still usable but should not be expected to perform as much work. In such cases, about 10 seconds after battery insertion, the charger will beep rapidly 8 times to indicate a weak battery condition. The charger will then go on to charge the battery to the highest capacity possible.

Important Charging Notes

1. Longest life and best performance can be obtained if the battery pack is charged when the air temperature is between 65°F and 75°F (18°- 24°C). DO NOT charge the battery pack in an air temperature below +40°F(+4.5°C), or above +105°F (+40.5°C). This is important and will prevent serious damage to the battery pack.
2. The charger and battery pack may become warm to touch while charging. This is a normal condition, and does not indicate a problem.
3. If the battery pack does not charge properly — (1) Check current at receptacle by plugging in a lamp or other appliance, (2) Check to see if receptacle is connected to a light switch which turns power off when you turn out the lights. (3) Move charger and battery pack to a location where the surrounding air temperature is approximately 65°F - 75°F (18°- 24°C). (4) If charging problems persist, take or send the tool, battery pack and charger to your local service center.

4. The battery pack should be recharged when it fails to produce sufficient power on jobs which were easily done previously. **DO NOT CONTINUE** to use under these conditions. Follow the charging procedure. You may also charge a partially used pack whenever you desire with no adverse affect on the battery pack.
5. Under certain conditions, with the charger plugged into the power supply, the exposed charging contacts inside the charger can be shorted by foreign material. Foreign materials of a conductive nature such as, but not limited to, steel wool, aluminum foil, or any buildup of metallic particles should be kept away from charger cavities. Always unplug the charger from the power supply when there is no battery pack in the cavity. Unplug charger before attempting to clean.
6. Do not immerse charger in water or any other liquid.
 - ⚠ **WARNING:** Don't allow any liquid to get inside charger. Electric shock may result. To facilitate the cooling of the battery pack after use, avoid placing the charger or battery pack in a warm environment such as in a metal shed, or an uninsulated trailer.
 - ⚠ **CAUTION:** Never attempt to open the battery pack for any reason. If the plastic housing of the battery pack breaks or cracks, return the battery pack to a service center for recycling.

Battery Insertion and Removal

To insert the power pack into your flashlight, slide it into the end of the light until it snaps into place. To remove the power pack, depress the release buttons shown and withdraw the power pack.

Switch

To turn the light on, slide the switch forward. To turn it off, slide the switch back.

FIG. 2

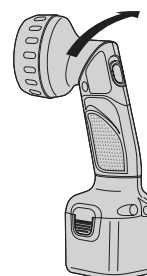
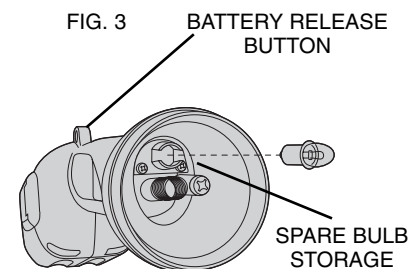


FIG. 3



Pivoting Head (Figure 2)

Your flashlight has a pivoting head. To convert your light to a right angle model, grasp the front end of the light forward of the switch and hold the back end firmly. Twist the front end clockwise (as viewed from the lens) until the head pivots 90 degrees and clicks into place. To return the head to a straight position, rotate the head (as viewed from the lens) counterclockwise until it clicks into the straight position.

Replacing the Light Bulb

Worklight Cat. No.	Replacement Bulb Cat. No.
DW902	DW9023
DW904	DW9043
DW906	DW9063
DW908	DW9083

To replace the light bulb, first unscrew the lens holder. Pull the bulb out of the spring, and insert a new bulb. Reinstall lens holder.

NOTE: Do not look directly into the flashlight beam.

Spare Bulb Storage (Figure 3)

To store a bulb, unscrew the lens holder and remove it. Inside the body of the flashlight is the storage socket. To remove the bulb, pull it up and out of the storage area. **NOTE:** Removing a pack from the charger and immediately inserting it into the flashlight may weaken bulb life.

Cleaning

Use only mild soap and a damp cloth to clean the tool. Many household cleaners contain chemicals which could seriously damage plastic. Also, do not use gasoline, turpentine, lacquer or paint thinner, dry cleaning fluids or similar products. Never let any liquid get inside the tool; never immerse any part of the tool into a liquid.

Accessories

Recommended accessories for use with your tool are available at extra cost from your local service center.

⚠ CAUTION: *The use of any non-recommended accessory may be hazardous.*

A complete listing of service centers is included on the owner's registration card packed with your tool.

If you need assistance in locating any accessory, please contact DEWALT Industrial Tool Co., 701 East Joppa Road, Baltimore, MD 21286 or call 1-800-4-DEWALT (1-800-433-9258).

Repairs

To assure product SAFETY and RELIABILITY, repairs, maintenance and adjustment (including brush inspection and replacement) should be performed by authorized service centers or other qualified service organizations, always using identical replacement parts.

Full Warranty

DEWALT heavy duty industrial tools are warranted for one year from date of purchase. We will repair, without charge, any defects due to faulty materials or workmanship. For warranty repair information, call 1-800-4-DEWALT. This warranty does not apply to accessories or damage caused where repairs have been made or attempted by others. This warranty gives you specific legal rights and you may have other rights which vary in certain states or provinces.

In addition to the warranty, DEWALT tools are covered by our:

30 DAY NO RISK SATISFACTION GUARANTEE

If you are not completely satisfied with the performance of your DEWALT heavy duty industrial tool, simply return it to the participating seller within 30 days for a full refund. Please return the complete unit, transportation prepaid. Proof of purchase may be required.

FREE WARNING LABEL REPLACEMENT: If your warning labels become illegible or are missing, call 1-800-4-DEWALT for a free replacement.

SI VOUS AVEZ DES QUESTIONS OU VOULEZ NOUS FAIRE PART DE VOS COMMENTAIRES CONCERNANT CET OUTIL OU TOUT AUTRE OUTIL DEWALT, COMPOSEZ SANS FRAIS LE : 1 800 433-9258.

Règles générales de sécurité - Outils à piles

⚠ **AVERTISSEMENT!** Lire et comprendre toutes les directives, car le non-respect des directives suivantes peut entraîner un choc électrique, un incendie ou des blessures graves.

CONSERVER CES DIRECTIVES

ZONE DE TRAVAIL

- **Garder la zone de travail propre et bien éclairée;** les établis encombrés et les endroits sombres sont propices aux accidents.
- **Ne pas utiliser les outils électriques dans une atmosphère explosive, comme à proximité de liquides, de gaz ou de poussières inflammables;** le moteur peut créer des étincelles et enflammer les vapeurs ou les poussières environnantes.
- **Tenir les enfants, les visiteurs ou toute autre personne à l'écart lorsqu'on utilise un outil électrique;** les distractions peuvent faire perdre la maîtrise de ce dernier.

MESURES DE SÉCURITÉ : ÉLECTRICITÉ

- **Ne pas utiliser le cordon de manière abusive;** on ne doit pas transporter l'outil en le tenant par le cordon. On doit tenir le cordon à l'écart des sources de chaleur, de l'huile, des bords tranchants ou des pièces mobiles. Remplacer immédiatement les cordons endommagés, car ces derniers augmentent les risques d'incendie.
- **Un outil à piles intégrées ou à bloc-piles externe doit être rechargé seulement au moyen du chargeur approprié, car**

un chargeur destiné à une pile particulière peut entraîner un risque d'incendie lorsqu'il est utilisé avec une autre.

- **N'utiliser l'outil à piles qu'avec le bloc-piles désigné, car l'utilisation d'un autre type de piles peut entraîner un risque d'incendie.**

SÉCURITÉ PERSONNELLE

- **Rester vigilant en tout temps et faire preuve de jugement lorsqu'on utilise un outil électrique;** ne pas utiliser l'outil lorsqu'on est fatigué ou sous l'influence de drogues, d'alcool ou de médicaments, car un moment d'inattention peut entraîner des blessures graves.
- **Porter des vêtements appropriés;** ne pas porter de vêtements amples ni de bijoux. Couvrir ou attacher les cheveux longs. Garder les cheveux, les vêtements, les bijoux et les gants éloignés des pièces mobiles, car ceux-ci peuvent s'y coincer.
- **Éviter les démarrages accidentels;** s'assurer que l'interrupteur soit placé en position de verrouillage ou d'arrêt avant d'insérer le bloc-piles. Ne pas transporter l'outil en laissant le doigt sur l'interrupteur ni insérer le bloc-piles lorsque l'outil est en position de marche, car cela pourrait causer un accident.
- **Retirer les clés de réglage avant de démarrer l'outil;** une clé laissée sur une pièce rotative peut entraîner des blessures.
- **Ne pas trop étendre les bras;** les pieds doivent rester ancrés fermement sur le sol afin de maintenir son équilibre en tout temps et de mieux maîtriser l'outil dans des situations imprévues.
- **Utiliser le matériel de sécurité approprié;** toujours porter des lunettes de protection. Porter un masque anti-poussières, des chaussures antidérapantes, un casque de sécurité ou des protecteurs auditifs lorsque la situation le requiert.

UTILISATION ET ENTRETIEN DE L'OUTIL

- **Fixer et soutenir l'ouvrage sur une plate-forme stable au moyen d'un étau ou de tout autre dispositif semblable;** l'ouvrage est instable lorsqu'on le retient manuellement ou qu'on l'appuie contre le corps, ce qui peut faire perdre la maîtrise de l'outil.
- **Ne pas forcer l'outil ni l'utiliser pour des travaux autres que ceux pour lesquels il a été conçu.** Pour obtenir de meilleurs résultats et prévenir les risques de blessure, laisser l'outil couper à la vitesse pour laquelle il a été conçu.
- **Ne pas utiliser l'outil lorsque l'interrupteur de marche-arrêt ne fonctionne pas;** tout outil qui ne peut être commandé au moyen de l'interrupteur est dangereux et doit être réparé.
- **Débrancher le bloc-piles de l'outil ou mettre l'interrupteur en position de verrouillage ou d'arrêt avant d'effectuer un réglage, de changer les accessoires ou de ranger l'outil;** ces mesures de sécurité préventives réduisent les risques de démarrage accidentel.
- **Lorsqu'on n'utilise pas l'outil, le ranger hors de la portée des enfants ou des personnes non qualifiées;** les outils sont dangereux entre les mains de personnes inexpérimentées.
- **Lorsqu'on n'utilise pas le bloc-piles, le ranger à l'écart des objets métalliques tels que les trombones, les pièces de monnaie, les clés, les clous, les vis ou autres petits objets susceptibles de conduire l'électricité entre les bornes** et d'occasionner ainsi des étincelles, des brûlures ou un incendie.
- **Bien entretenir l'outil;** s'assurer qu'il soit toujours bien propre et aiguisé. Les outils bien entretenus et dont les bords sont bien tranchants sont moins susceptibles de rester coincés et sont plus faciles à maîtriser.
- **Vérifier les pièces mobiles afin de s'assurer qu'elles soient bien alignées et qu'elles ne restent pas coincées;** vérifier

également les pièces afin de s'assurer qu'il n'y ait aucun bris ni aucune autre condition susceptible de nuire au bon fonctionnement de l'outil. Faire réparer l'outil si ce dernier est endommagé avant de s'en servir à nouveau, car les accidents sont souvent causés par des outils mal entretenus.

- **N'utiliser que les accessoires recommandés par le fabricant pour le modèle concerné;** un accessoire destiné à un outil particulier peut devenir dangereux lorsqu'il est utilisé avec un autre.

ENTRETIEN

- **L'outil doit être entretenu ou réparé par le personnel qualifié seulement;** toute maintenance effectuée par une personne non qualifiée peut entraîner des risques de blessure.
- **Lors de l'entretien, n'utiliser que des pièces de rechange identiques** et suivre les directives de la section «Entretien» du présent manuel afin de prévenir les risques de choc électrique ou de blessure.

Mesures de sécurité relatives aux lampes de travail

⚠ **AVERTISSEMENT :** NE PAS UTILISER LA LAMPE DE POCHE NI LE CHARGEUR PRÈS DE LIQUIDES INFLAMMABLES NI DANS UN ENDROIT RENFERMANT DES VAPEURS INFLAMMABLES OU EXPLOSIVES. DES ÉTINCELLES DANS CES PRODUITS POURRAIENT ENFLAMMER LES VAPEURS.

⚠ **AVERTISSEMENT :** La lentille et l'ampoule deviennent brûlants pendant l'utilisation.

- Pendant l'utilisation ou immédiatement après s'être servi de la lampe, ne pas la déposer à plat contre la surface de la lentille.
- Ne pas toucher à la lentille lorsque l'ampoule éclaire.
- Manipuler la lampe de travail avec soin à proximité de toute surface inflammable.

- Lorsque l'ampoule a fonctionné, laisser refroidir la lampe de travail pendant plusieurs minutes avant de remplacer l'ampoule.
- L'étiquette de l'outil peut comporter les symboles suivants.

Vvolts	Aampères
Hzhertz	W.....watts
min.....minutes	~courant alternatif
====courant continu	nosous vide
☐Construction de classe II	☹borne de mise à la minute
⚠symbole d'avertissement	.../mintours ou courses à la minute

Importantes consignes de sécurité concernant les bloc-piles

Les piles ne sont pas complètement chargées au moment de leur livraison! Avant de les charger, lire attentivement toutes les consignes de sécurité énumérées ci-dessous, ainsi que les remarques, les notes et les méthodes de chargement.

LIRE TOUTES LES DIRECTIVES

- **Ne pas incinérer les bloc-piles**, même s'ils ont subi des dommages importants ou ils sont usés complètement, car ils peuvent exploser en présence de flammes.
- **Les cellules des bloc-piles peuvent subir une fuite légère par suite d'un usage extrême ou d'une exposition à certaines températures**; ceci n'indique pas un problème. Cependant, si le scellant externe est percé et le liquide entre en contact avec la peau, on doit :
 - a) se laver rapidement la partie du corps touchée avec de l'eau savonneuse;

- b) neutraliser l'effet au moyen d'un acide doux tel que du jus de citron ou du vinaigre;
- c) si les yeux sont touchés, les rincer à fond avec de l'eau propre pendant au moins 10 minutes et consulter immédiatement un médecin. (**Remarque aux fins médicales** : ce liquide contient une solution composée de 25 à 35 % d'hydroxyde de potassium.)

- **Ne pas transporter des bloc-piles supplémentaires dans un tablier, une poche ou une boîte à outils contenant des objets métalliques**, car le bloc-pile pourrait causer un court-circuit et s'endommager, ou risquer de provoquer de graves brûlures ou un incendie.
- Ne charger les bloc-piles qu'au moyen des chargeurs DEWALT.
- **REMARQUE** : le bloc-piles contient des piles au nickel-cadmium. Le cadmium est considéré comme une substance toxique par les agences de protection de l'environnement, dont le ministère de l'Environnement; on recommande donc de vérifier auprès de l'agence concernée avant de mettre au rebut des bloc-piles au nickel-cadmium usés ou endommagés afin de se renseigner sur les dispositions particulières qui s'appliquent dans votre région à ce sujet, ou de retourner les bloc-piles usés ou endommagés à un centre de service qualifié DEWALT afin qu'ils puissent être recyclés.
- **NE PAS** ranger ni utiliser l'outil ou le bloc-piles dans des endroits où la température peut atteindre ou dépasser 40,5 °C (105 °F), comme les cabanons ou les bâtiments en revêtement métallique durant l'été.

⚠ **DANGER** : Ne jamais tenter d'ouvrir le bloc-piles pour quelle que raison que ce soit. Si le compartiment se rupture ou subit des dommages, ne pas l'insérer dans le chargeur afin d'éviter les risques de choc électrique ou d'électrocution. On doit retourner les bloc-piles endommagés à un centre de service afin qu'ils puissent être recyclés.

Bloc-pile

L'outil fonctionne sur un bloc-pile DEWALT de 9,6, de 12,0 de 14,4 ou de 18 volts. Lorsqu'on commande des bloc-piles de recharge, on doit indiquer le numéro de catalogue et la tension requise.

REMARQUE : l'outil peut fonctionner au moyen d'un bloc-pile standard ou à durée prolongée.

REMARQUE : un capuchon est fourni avec la pile en vue d'être utilisé chaque fois qu'on retire cette dernière de l'outil ou du chargeur en vue de la ranger ou de la transporter; enlever le capuchon avant de remettre la pile dans le chargeur ou dans l'outil.



⚠ **AVERTISSEMENT** : *s'assurer, au moment de ranger ou de transporter la pile, qu'aucun objet métallique n'entre en contact avec les bornes à découvert de la pile.* Par exemple, il faut éviter de placer une pile sans capuchon dans un tablier, une poche, une boîte à outils ou un tiroir (etc.) contenant des objets tels que des clous, des vis ou des clés, car la pile pourrait causer un court-circuit et s'endommager, ou risquer de provoquer des brûlures ou un incendie.

Sceau RBRC^{MC}

Le sceau RBRC^{MC} de la Rechargeable Battery Recycling Corporation apposé sur la pile au nickel-cadmium (ou le bloc-piles) indique que les coûts de recyclage de ce dernier à la fin de sa vie utile ont déjà été payés par DEWALT. En certains endroits, la mise au rebut ou aux ordures municipales des piles au nickel-cadmium est illégale; le programme de RBRC^{MC} constitue donc une solution des plus pratiques et écologiques.

La RBRC^{MC}, en collaboration avec DEWALT et d'autres utilisateurs de piles, a mis sur pied des programmes aux États-Unis dans le but de faciliter la collecte des piles déchargées. DEWALT encourage ses utilisateurs à participer à son programme de protection de l'en-



vironnement et de conservation des ressources naturelles en retournant les piles usagées à un centre de service DEWALT ou chez un dépositaire local afin qu'elles puissent être recyclées. On peut en outre se renseigner auprès d'un centre de recyclage local pour connaître d'autres sites les acceptant.

Importantes consignes de sécurité concernant les chargeurs

CONSERVER CES DIRECTIVES – Le présent manuel contient d'importantes consignes de sécurité concernant les chargeurs DEWALT.

- Avant d'utiliser le chargeur, lire toutes les directives et étiquettes de mise en garde apposées sur le chargeur, la pile et le produit utilisant la pile.
- ⚠ **MISE EN GARDE** : *afin de réduire les risques de blessure, ne charger que des piles au rechargeables DEWALT, car les autres peuvent éclater et entraîner des blessures ou des dommages matériels.*
- ⚠ **MISE EN GARDE** : *dans certaines conditions, lorsque le chargeur est enfiché, les raccords de charge à nu situés à l'intérieur du chargeur peuvent subir un court-circuit lorsqu'ils entrent en contact avec une matière étrangère. Les matières conductives comme la laine d'acier, la feuille d'aluminium ou les particules métalliques, mais sans toutefois s'y limiter, doivent être tenus à l'écart des cavités du chargeur. Toujours débrancher celui-ci lorsque le bloc-piles n'y est pas inséré ou avant de le nettoyer.*
- ⚠ **DANGER** : *les bornes du chargeur conduisent une haute tension; on ne doit pas les toucher au moyen d'objets conducteurs afin d'éviter les risques de choc électrique ou d'électrocution.*
- ⚠ **AVERTISSEMENT** : *ne jamais laisser de liquide s'infiltrer à l'intérieur du chargeur ni l'exposer à la pluie ou à la neige afin d'éviter les risques de choc électrique.*

- **NE PAS charger le bloc-piles au moyen d'un chargeur autre que ceux décrits dans le présent manuel;** le chargeur et le bloc-piles sont conçus spécialement pour être utilisés ensemble.
- **N'utiliser ces derniers que pour charger les piles rechargeables DEWALT;** tout autre usage peut entraîner des risques d'incendie, de choc électrique ou d'électrocution.
- **Débrancher le chargeur en saisissant la fiche, non le cordon,** afin de réduire les risques de dommage à la fiche ou au cordon électrique.
- **S'assurer que le cordon soit placé de manière à éviter qu'il ne subisse des dommages ou des contraintes ou que les personnes s'y prennent les pieds et trébuchent.**
- **Ne pas utiliser de rallonge à moins que cela ne soit absolument nécessaire,** car l'usage d'une rallonge ayant une puissance inadéquate pourrait causer des risques d'incendie, de choc électrique ou d'électrocution.
- **Afin d'assurer la sécurité de l'utilisateur, la rallonge doit être de calibre AWG approprié.** Plus le calibre est petit, plus la capacité est grande; autrement dit, une rallonge de calibre 16 est plus puissante qu'une rallonge de calibre 18. Lorsqu'on utilise plusieurs rallonges pour obtenir la longueur voulue, s'assurer que chacune d'elles présente les valeurs minimales requises.

Calibre minimal des cordons de rallonge

Longueur totale du cordon

25 ft.	50 ft.	75 ft.	100 ft.	125 ft.	150 ft.	175 ft.
7,6 m	15,2 m	22,9 m	30,5 m	38,1 m	45,7 m	53,3 m

Intensité

18 AWG	18 AWG	16 AWG	16 AWG	14 AWG	14 AWG	12 AWG
--------	--------	--------	--------	--------	--------	--------

- **Le chargeur s'aère par l'entremise de fentes situées sur le dessus et le dessous du logement;** ne jamais mettre un objet sur le dessus du chargeur ni placer celui-ci sur une surface molle risquant d'obstruer les fentes de ventilation, ce qui pourrait causer une chaleur interne excessive. Tenir le chargeur éloigné de toute source de chaleur.

- **Ne pas faire fonctionner le chargeur lorsque le cordon ou la fiche est endommagé.** Si tel est le cas, les remplacer immédiatement.
- **Ne pas faire fonctionner le chargeur s'il a subi un coup important, une chute ou des dommages quelconques.** Si cela se produit, l'emporter à un centre de service autorisé.
- **Ne pas démonter le chargeur, car un mauvais assemblage pourrait occasionner des risques de choc électrique, d'électrocution ou d'incendie.** Le chargeur doit être retourné à un centre de service autorisé aux fins d'une réparation ou d'un entretien, le cas échéant.
- **Afin de réduire les risques de choc électrique, débrancher le chargeur de la prise murale avant de procéder au nettoyage;** le seul fait d'enlever le bloc-piles ne réduit pas ce risque.
- **Ne JAMAIS brancher deux chargeurs ensemble.**
- **Ne pas alimenter le chargeur au moyen d'une source autre que celles indiquées sur la plaque signalétique.**

Chargeurs

Les piles DEWALT peuvent être chargées au moyen d'un chargeur DEWALT d'une heure ou de 15 minutes, ou d'un chargeur pour véhicules de 12 volts. S'assurer de lire toutes les consignes de sécurité avant d'utiliser le chargeur.

Consulter le diagramme apparaissant sur le couvercle arrière afin de vérifier la compatibilité du chargeur avec le bloc-piles.

Mode rechargement (Tune-Up^{MC})

Le mode rechargement (Tune-Up^{MC}) sert à équilibrer ou à égaliser chaque cellule du bloc-piles lors de son cycle de capacité limite; le cycle total dure 8 heures. Le bloc-piles doit être rechargé chaque semaine, après 10 ou 20 cycles de charge / de décharge ou lorsque la capacité du bloc-piles commence à diminuer.

1. Pour recharger le bloc-piles, placer les piles dans le chargeur de la manière habituelle. Le voyant rouge clignotera continuellement, indiquant que le cycle de charge est amorcé.
2. On peut enfoncer le bouton Tune-Up^{MC} à n'importe quel moment une fois la charge amorcée. Le voyant rouge s'éteindra momentanément, clignotera trois fois brièvement puis restera allumé, indiquant que le chargeur est en mode rechargement.
3. Une fois le cycle de rechargement terminé, le voyant restera allumé, indiquant que le bloc-piles est complètement rechargé; on peut alors le réutiliser ou le laisser dans le chargeur.
4. Si on sélectionne le mode de rechargement mais qu'on change d'idée par la suite, retirer les piles du chargeur. Attendre 5 secondes, puis réinsérer la pile afin d'amorcer le cycle de charge normal.

Méthode de chargement

CHARGEURS D'UNE HEURE

1. Enfiler le chargeur dans une prise appropriée.
2. Insérer le bloc-piles dans le chargeur, tel qu'illustré à la FIG. 1, en s'assurant de bien l'enfoncer. Le voyant (de charge) rouge clignotera continuellement, indiquant que le cycle de charge est amorcé.
3. Le bloc-piles est complètement chargé après environ une heure. Le voyant rouge restera allumé, indiquant que le bloc-piles est complètement rechargé; on peut alors le réutiliser ou le laisser dans le chargeur.

PROBLÈMES RELIÉS À LA SOURCE DE COURANT

Les chargeurs munis d'un voyant d'indication de problème au niveau de la source de courant peuvent suspendre temporairement le chargement s'il est branché dans une source d'alimentation portable, comme une génératrice ou un convertisseur de courant continu en courant alternatif. En présence d'un tel problème, le voyant

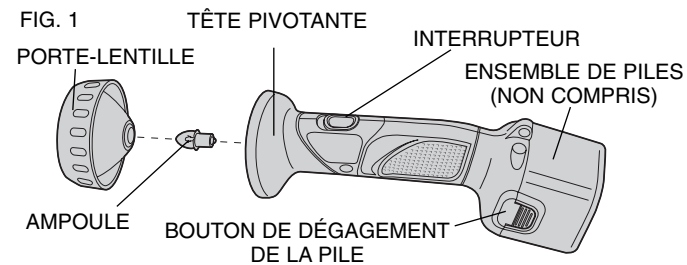
rouge émet deux clignotements rapides, suivis d'une pause, indiquant que le problème se situe au niveau de la source de courant.

DISPOSITIF DE DÉTECTION DE PILES CHAUDES

Si le chargeur est muni d'un dispositif visant à détecter les piles chaudes, le chargement sera retardé jusqu'à ce que la pile se soit refroidie et le chargeur se placera automatiquement en position de chargement; ce dispositif sert à maximiser la durée de vie des piles. Le voyant rouge s'allume longuement, et ensuite brièvement lorsque ce dispositif est en marche.

CHARGEURS DE 15 MINUTES

1. Enfiler le chargeur dans une prise appropriée; une fois alimenté, il émet deux signaux sonores et le voyant rouge clignote puis s'éteint.
2. Insérer le bloc-piles dans le chargeur, tel qu'illustré à la FIG. 1, en s'assurant de bien l'enfoncer. Le voyant rouge clignotera continuellement et le chargeur émettra un seul signal sonore pour indiquer que le cycle de charge est amorcé.
3. Dans la plupart des cas, le bloc-piles requiert moins de 15 minutes pour se charger complètement. Le voyant rouge reste allumé et le chargeur émet trois signaux sonores pour indiquer



que le bloc-piles est complètement rechargé; on peut alors le réutiliser ou le laisser dans le chargeur.

BLOC-PILES FAIBLE

On peut aussi utiliser le chargeur de 15 minutes pour déterminer si une pile est faible. Bien qu'on puisse continuer à utiliser une pile faible, elle ne procurera pas un plein rendement. Si tel est le cas, 10 secondes après l'insertion de la pile, le chargeur émettra rapidement huit signaux sonores pour indiquer qu'il s'agit d'une pile faible, puis chargera la pile jusqu'à sa pleine capacité.

CHARGEURS DE TOUT TYPE

Bloc-piles laissé dans le chargeur. Lorsque le voyant rouge reste allumé, cela signifie que le chargeur s'est placé en mode d'égalisation de charge, lequel peut rester ainsi pendant environ 4 heures. Après ce délai, le chargeur se placera en mode de tenue de charge. Bien que le bloc-piles puisse être retiré pendant n'importe quel de ces cycles, il n'est complètement chargé que lorsque le voyant rouge reste allumé continuellement. On peut laisser le chargeur (avec un bloc-piles inséré) raccordé à une prise tant que le voyant rouge reste allumé; le chargeur maintient alors la charge du bloc-piles afin que ce dernier soit prêt à être utilisé. Un bloc-piles perd graduellement sa charge s'il n'est pas gardé dans le chargeur. Un bloc-piles n'étant pas maintenu en mode de tenue de charge devra être rechargé avant son utilisation. Un bloc-piles peut graduellement perdre sa charge s'il est laissé dans un chargeur qui n'est pas enfiché dans une source d'alimentation à courant alternatif appropriée.

INDICATEURS D'ANOMALIE : les chargeurs sont conçus pour détecter certains problèmes pouvant être reliés aux bloc-piles. Ces problèmes sont indiqués par le clignotement rapide du voyant rouge et, dans le cas des chargeurs de 15 minutes, par un signal sonore continu. Si un tel problème survient, réinsérer le bloc-piles dans le chargeur. Si le problème persiste, remplacer le bloc-piles

afin de déterminer si le chargeur fonctionne bien. Si le bloc-piles de rechange se charge correctement, cela signifie que le bloc initial est défectueux et qu'on doit le retourner à un centre de service afin qu'il puisse être recyclé. Si le bloc neuf affiche le même problème que le bloc initial, on doit faire vérifier le chargeur à un centre de service autorisé.

Notes importantes concernant le chargement

1. Afin de maximiser la durée de vie du bloc-piles et d'assurer son rendement optimal, le charger à la température ambiante, soit entre 18 et 24 °C (65 et 75 °F). Afin d'éviter d'endommager le bloc-piles, il est important de NE PAS le charger à des températures inférieures à +4,5 °C (+40 °F) ou supérieures à +40,5 °C (105 °F).
2. Le chargeur et le bloc-piles peuvent devenir chauds au toucher lors du chargement. Ceci est normal et n'indique pas la présence d'un problème.
3. Si le bloc-piles ne se charge pas normalement, il faut : (1) vérifier l'alimentation de la prise en y enfichant une lampe ou un appareil, (2) s'assurer que la prise ne soit pas raccordée à un interrupteur qui coupe le courant lorsqu'on éteint les lumières, (3) placer le chargeur et le bloc-piles dans un endroit où la température ambiante est environ 18 à 24 °C (65 et 75 °F) ou, si le problème persiste, (4) retourner l'outil, le bloc-piles et le chargeur au centre de service de sa région.
4. Le bloc-piles doit être rechargé lorsqu'il ne produit pas suffisamment de courant pour permettre à l'utilisateur de travailler normalement. On doit CESSER de l'utiliser dans de telles conditions et suivre la méthode de chargement. On peut aussi charger en tout temps un bloc-piles partiellement déchargé sans nuire à son fonctionnement.

5. Dans certaines conditions, lorsque le chargeur est enfilé, les raccords de charge à nu situés à l'intérieur du chargeur peuvent subir un court-circuit lorsqu'ils entrent en contact avec une matière étrangère. Les matières conductives comme la laine d'acier, la feuille d'aluminium ou les particules métalliques, mais sans toutefois s'y limiter, doivent être tenus à l'écart des cavités du chargeur. Toujours débrancher celui-ci lorsque le bloc-piles n'y est pas inséré ou avant de le nettoyer.
 6. Ne pas immerger le chargeur dans l'eau ou tout autre liquide quelconque.
- ⚠ **AVERTISSEMENT** : ne jamais laisser de liquide s'infiltrer à l'intérieur du chargeur afin d'éviter les risques de choc électrique. Pour faciliter le refroidissement du bloc-piles après son utilisation, éviter de placer ce dernier ou le chargeur dans un environnement chaud comme un cabanon en métal ou une remorque non isolée.
- ⚠ **NE JAMAIS** ouvrir le bloc-piles pour quelle que raison que ce soit. Si le compartiment en plastique se rupture ou se fissure, le retourner au centre de service afin qu'il puisse être recyclé.

LIRE TOUTES LES DIRECTIVES

Installation et retrait de l'ensemble de piles

Pour insérer l'ensemble de piles dans le projecteur, il suffit de le glisser à l'extrémité de la lampe jusqu'à ce qu'il s'enclenche en place. Pour le retirer, enfoncer les boutons de dégagement illustrés et retirer l'ensemble de piles.

Interrupteur

Pour actionner la lampe, faire glisser l'interrupteur vers l'avant. Pour l'éteindre, faire glisser l'interrupteur vers l'arrière.

FIG. 2

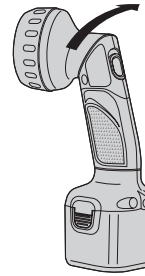
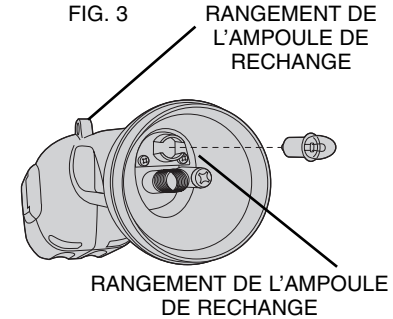


FIG. 3



Tête pivotante (Figure 2)

La lampe de travail est dotée d'une tête orientable. Pour transformer la lampe en un modèle à angle droit, saisir l'extrémité avant de la lampe située devant l'interrupteur et retenir fermement l'extrémité arrière. Tordre l'extrémité avant dans le sens horaire (à partir de la lentille) jusqu'à ce que la tête ait tourné sur 90° et l'enclencher en place. Pour remettre la tête dans sa position initiale, faire tourner la tête (à partir de la lentille) dans le sens antihoraire jusqu'à ce qu'elle s'enclenche dans sa position initiale.

Remplacement de l'ampoule

Lampe - Cat. No.	Ampoule de rechange - Cat. No.
DW902	DW9023
DW904	DW9043
DW906	DW9063
DW908	DW9083

Pour remplacer l'ampoule, il faut d'abord dévisser le porte-lentille. Retirer l'ampoule en la sortant du ressort et y insérer une nouvelle ampoule. Réinstaller le porte-lentille.

NOTE : Ne pas regarder directement le faisceau lumineux.

Rangement de l'ampoule de rechange (Figure 3)

Pour ranger une ampoule, il suffit de dévisser le porte-lentille et de l'enlever. La douille de rangement se trouve dans le boîtier de la lampe. Pour retirer l'ampoule, il suffit de la tirer hors de la douille et de la lampe. Note : La durée de l'ampoule peut diminuer lorsqu'on utilise un ensemble de piles chargé à fond.

Nettoyage

Nettoyer l'outil seulement au moyen d'un linge humide et d'un savon doux. Plusieurs nettoyeurs domestiques contiennent des produits chimiques qui peuvent gravement endommager le plastique; ne pas utiliser d'essence, de térébenthine, de décapant, de diluant pour peintures, de produits de nettoyage à sec ou d'autres produits de même nature. Ne jamais laisser de liquide s'infiltrer à l'intérieur de l'outil; ne jamais immerger ce dernier dans quelque liquide que ce soit.

Accessoires

Les accessoires recommandés pour cet outil sont vendus séparément aux centres de service autorisés.

Pour obtenir de l'aide concernant l'achat d'un accessoire, communiquer avec DEWALT Industrial Tool Company, 701 East Joppa Road, Baltimore, MD 21286 aux États-Unis, ou composer le 1 800 732-4441.

⚠ MISE EN GARDE : *l'usage d'un accessoire non recommandé peut présenter un danger. Les accessoires d'amenée d'eau ne sont pas recommandés avec cet outil.*

Réparations

Pour assurer la SÉCURITÉ et la FIABILITÉ de ce produit, l'outil doit être réparé, entretenu et réglé par un centre de service

autorisé ou qualifié (cela comprend l'inspection et le remplacement de la brosse); seules des pièces de rechange identiques doivent être utilisées.

Garantie complète

DEWALT garantit les outils industriels à service intensif contre tout défaut de matériau ou de fabrication pour une période d'un an à compter de la date d'achat; le produit défectueux sera réparé sans frais. Pour obtenir de plus amples renseignements sur les réparations couvertes par la présente garantie, composer le 1 800 433-9258. Cette garantie ne s'applique pas aux accessoires et ne vise pas les dommages causés par des réparations effectuées par un tiers. Elle confère des droits légaux particuliers à l'acheteur, mais celui-ci pourrait aussi bénéficier d'autres droits différant d'un territoire à l'autre.

En plus de la présente garantie, la

GARANTIE SANS RISQUE DE 30 JOURS EN CAS DE NON-SATISFACTION

s'applique également aux outils DeWALT.

Si vous n'êtes pas entièrement satisfait(e) du rendement de l'outil industriel à service intensif DEWALT, il suffit de le retourner au vendeur participant dans les 30 jours pour obtenir un remboursement intégral. Retourner l'outil au complet en payant le transport à l'avance; une preuve d'achat peut être requise.

REPLACEMENT GRATUIT DE L'ÉTIQUETTE

Si vos étiquettes d'avertissement deviennent illisibles ou sont manquantes, composez le 1-800-4-DEWALT pour obtenir une étiquette de remplacement gratuite.

Reglas generales de seguridad – Para todas las herramientas que funcionan con pilas

⚠ **¡ADVERTENCIA!** Lea y asegúrese de comprender todas las instrucciones. El no hacerlo puede originar riesgos de choque eléctrico, incendio y lesiones personales de gravedad.

CONSERVE ESTAS INSTRUCCIONES

ÁREA DE TRABAJO

- **Conserve su área de trabajo limpia y bien iluminada.** Las bancas amontonadas y las zonas oscuras propician los accidentes.
- **No utilice herramientas eléctricas en atmósferas explosivas, como en presencia de líquidos, gases o polvos inflamables.** Las herramientas eléctricas producen chispas que pueden originar la ignición de los polvos o los vapores.
- **No permita a ningún observador, niño o visitante acercarse mientras pone en funcionamiento una herramienta eléctrica.** Las distracciones pueden hacerle perder a usted el control.

SEGURIDAD ELÉCTRICA

- **No maltrate el cable.** Nunca tome la herramienta por el cable para transportarla ni para desconectarla de la toma de corriente. Conserve el cable alejado de calor, del aceite, de bordes afilados o de piezas móviles. Cambie inmediatamente los cables dañados, dado que éstos aumentan el riesgo de incendio.
- **Una herramienta que funciona con pilas integradas o por separado debe recargarse solamente con el cargador especificado para esa batería.** Un cargador adecuado para un tipo de pila puede originar riesgos de incendio cuando se utiliza con otro tipo de pila.

- **Utilice su herramienta a baterías solamente con las baterías específicamente diseñadas para ella.** El uso de otro tipo de baterías puede originar riesgos de incendio.

SEGURIDAD PERSONAL

- **Esté siempre alerta, concéntrese en lo que está haciendo y recurra al sentido común cuando utilice una herramienta eléctrica.** No utilice ninguna herramienta si se encuentra fatigado o bajo la influencia de drogas, alcohol o medicamentos. Un descuido de su parte mientras utiliza una herramienta eléctrica puede ocasionarle lesiones graves.
- **Vístase adecuadamente.** No utilice ropa floja ni joyas. Cubra su cabello si lo tiene largo. Conserve su cabello, ropas y guantes alejados de las piezas móviles. Las piezas de vestir flojas, las joyas y el cabello largo pueden resultar atrapados por las piezas móviles.
- **Evite el encendido accidental.** Asegúrese de que el interruptor esté apagado antes de conectar el aparato. Sostener una herramienta con su dedo colocado en el interruptor o conectarla sin fijarse si el interruptor está encendido, puede provocar accidentes.
- **Retire las llaves de ajuste o presión antes de encender la herramienta.** El dejar una llave en una pieza giratoria puede ocasionar lesiones personales.
- **No se incline demasiado.** Conserve siempre los pies bien apoyados, al igual que su equilibrio. La posición correcta de los pies y el equilibrio permiten controlar mejor la herramienta en situaciones inesperadas.
- **Utilice equipo de seguridad.** Proteja siempre sus ojos. Las mascarillas contra el polvo, los zapatos de seguridad antideslizantes, el casco o los protectores auditivos deben ser utilizados con el fin de trabajar en condiciones apropiadas.

USO Y CUIDADOS DE LA HERRAMIENTA

- **Utilice prensas u otros medios prácticos para asegurar y apoyar la pieza de trabajo a una plataforma estable.** Sujetar las piezas con la mano o contra su cuerpo es inestable y puede originar la pérdida de control.
- **No fuerce la herramienta.** Utilice la herramienta adecuada según la situación. Esto le permitirá ejecutar mejor el trabajo, de manera más segura y al ritmo para el cual ha sido diseñada.
- **No utilice la herramienta si el interruptor no enciende y apaga.** Cualquier herramienta que no pueda controlarse por medio del interruptor es peligrosa y debe ser reparada.
- **Desconecte la batería de la herramienta o coloque el interruptor en la posición de seguro o apagado antes de realizar cualquier ajuste, cambiar accesorios o guardar la herramienta.** Esta medida preventiva reduce el riesgo de encendido accidental de la herramienta.
- **Guarde las herramientas que no utiliza fuera del alcance de los niños y de cualquier otra persona no entrenada.** Las herramientas son peligrosas en manos de personas sin entrenamiento.
- **Cuando no utilice la batería, consérvela alejada de otros objetos metálicos tales como clips, monedas, clavos, tornillos y otros pequeños objetos metálicos que puedan hacer conexión entre una terminal y la otra.** Hacer corto entre las terminales de la batería puede originar chispas, quemaduras o incendios.
- **Mantenga adecuadamente sus herramientas.** Conserve las herramientas de corte afiladas y limpias. Aquellas herramientas con piezas de corte afiladas que reciben un mantenimiento adecuado, difícilmente se atascan y son más fáciles de controlar.
- **Verifique la correcta alineación de las piezas móviles, la presencia de roturas en las piezas y cualquier otra anom-**

alía que pueda afectar el funcionamiento adecuado de las herramientas. Si su herramienta se encuentra dañada, llévela al servicio de mantenimiento antes de utilizarla. La falta de un mantenimiento adecuado puede ser la causa de muchos accidentes.

- **Utilice solamente aquellos accesorios recomendados por el fabricante para el modelo de la herramienta que usted posee.** Los accesorios diseñados para una herramienta pueden resultar peligrosos el emplearse en otra para la cual no han sido diseñados.

SERVICIO DE MANTENIMIENTO Y REPARACIÓN

- **El servicio de mantenimiento y reparación de las herramientas debe ser efectuado únicamente por personal calificado para su reparación.** El mantenimiento realizado por personal no calificado puede provocar riesgos de lesiones.
- **Cuando se efectúe el mantenimiento de una herramienta, utilice únicamente accesorios originales.** Siga las instrucciones presentadas en la sección Mantenimiento, de este manual. El empleo de piezas no autorizadas o el no seguir las instrucciones de mantenimiento, puede originar riegos de choque eléctrico o lesiones.

Reglas de seguridad para linternas

⚠ ADVERTENCIA: NO OPERE LA LINTERNA O EL CARGADOR CERCA DE LIQUIDOS INFLAMABLES O EN ATMOSFERAS GASEOSAS O EXPLOSIVAS. LAS CHISPAS INTERNAS PUEDEN ORIGINAR LA IGNICION DE VAPORES. NO EXPONGA EL REFLECTOR FLEXIBLE NI EL CARGADOR A LA LLUVIA O AREAS HUMEDAS.

⚠ ADVERTENCIA: La lente y la bombilla se calientan durante el uso.

- Durante el uso o inmediatamente después, no coloque el reflector flexible sobre la superficie de la lente.
- No toque la superficie de la lente cuando la bombilla esté encendida ni inmediatamente después usarla.
- Maneje el reflector flexible con cuidado cuando esté cerca de superficies inflamables.
- Si se ha encendido el reflector flexible, deje que pasen varios minutos antes de cambiar la bombilla.
- La etiqueta de su herramienta puede incluir los siguientes símbolos.

V	voltios
A	amperios
Hz	hertz
W.....	vatios
.../min	minutos
~	corriente alterna
===	corriente directa
n_0	velocidad sin carga
□	construcción Clase II
/min	revoluciones por minuto
⊖	terminales con conexión a tierra
⚠	símbolo de alerta de seguridad

Instrucciones importantes de seguridad para de baterías

¡La batería no viene completamente cargada de fábrica! Lea primero las instrucciones de seguridad que siguen a continuación. Luego, siga las instrucciones y procedimientos de carga.

LEA TODAS LAS INSTRUCCIONES

- **No incinere la batería aún si ésta se encuentra muy averiada o si está completamente descargada.** La batería puede explotar en el fuego.
- **En condiciones de temperatura o de uso extremos, puede presentarse un ligero goteo de líquido de la batería.** Esto no indica que haya una falla. Sin embargo, si el sello externo está roto y si su piel llegase a tener contacto con este líquido, siga las siguientes instrucciones:
 - a. Lave rápidamente la zona afectada con agua y jabón.
 - b. Neutralice con un ácido débil como jugo de limón o vinagre.
 - c. Si el líquido de la batería toca sus ojos, enjuáguelos con agua limpia por un tiempo mínimo de 10 minutos y busque atención médica inmediata. (**Nota médica:** el líquido es una solución de potasa cáustica en una concentración de 25 a 35%).
- **No cargue baterías extra en delantales, bolsillos o cajas de herramienta, junto a objetos de metal.** La batería podría hacer corto circuito y dañarse, y provocar quemaduras severas o un incendio.
- Cargue las baterías únicamente en cargadores DEWALT.
- **NOTA:** Su batería es de tipo níquelcadmio. La EPA (Agencia de Protección Ambiental) considera que el cadmio es un material tóxico. Antes de desechar las baterías de cadmio desgastadas o dañadas, verifique ante las autoridades ambientales locales, las restricciones especiales con relación al desecho de éstas, o regréselas a un Centro de servicio autorizado DEWALT para que su reciclaje.
- **NO guarde ni utilice la herramienta o la batería en lugares en los que la temperatura pueda alcanzar o exceder 40°C (105°F)** (tales como cobertizos o construcciones de metal en el verano).
- **⚠ PELIGRO:** Nunca intente abrir la batería por ningún motivo. Si el recubrimiento de plástico de la batería se rompe o estalla, no

introduzca la batería en el cargador. Esto puede presentar un peligro de descarga eléctrica o electrocución. Lleve la batería dañada a un Centro de servicio para su reciclaje.

Baterías

Su herramienta utiliza una batería DEWALT de 18,0 voltios. Cuando solicite baterías de repuesto, asegúrese de incluir el número de catálogo y el voltaje. Las baterías XR PACK™, de larga duración, le ofrecen un tiempo de funcionamiento hasta en un 25% superior a de las baterías estándar. **NOTA:** Su herramienta funciona tanto con baterías estándar como con baterías de larga duración. Sin embargo, asegúrese de seleccionar el voltaje adecuado.

NOTA: los capuchones para transporte y almacenaje de las baterías se proporcionan para usarse siempre que la batería esté fuera de la herramienta o del cargador. Retire el capuchón antes de colocar la batería en la herramienta o en el cargador.



⚠ **ADVERTENCIA:** No guarde o transporte la batería de manera que objetos metálicos puedan hacer contacto con las terminales expuestas de la batería. Por ejemplo, no ponga la batería en delantales, bolsillos, cajas de herramientas, estuches de productos, cajones, etc. junto con clavos, tornillos, llaves, etc. sin el capuchón. La batería puede hacer corto cuando no tenga puesto el capuchón, ocasionando incendios o quemaduras, o daños a sí misma.

El sello RBRC™

El sello RBRC™ (Rechargeable Battery Recycling Corporation) en las baterías de níquelcadmio, indica que el costo del reciclaje de la batería o del cargador de baterías, al final de su vida útil, ya ha sido pagado por DEWALT. En algunas áreas es ilegal colocar las



baterías de níquelcadmio desgastadas en la basura doméstica o en los basureros municipales; el programa RBRC™ proporciona una alternativa ambiental conveniente.

La RBRC™, en cooperación con DEWALT y otros usuarios de baterías, han establecido programas en los Estados Unidos para facilitar la recolección de baterías desgastadas de níquelcadmio. Al llevar sus baterías desgastadas de níquelcadmio a un Centro de servicio autorizado de DEWALT, o a su minorista local para el reciclaje de su batería, usted ayuda a proteger el medio ambiente y a conservar nuestros recursos naturales. También puede comunicarse con el centro de reciclaje de su localidad para que le informen acerca de los lugares donde usted puede regresar las baterías desgastadas.

Importantes instrucciones de seguridad para cargadores de baterías

CONSERVE ESTAS INSTRUCCIONES: Este manual contiene importantes informaciones de seguridad para los cargadores de baterías DE WALT.

- Antes de utilizar el cargador, lea todas las instrucciones y las advertencias que acompañan el cargador de baterías, la batería y los productos que utilicen las baterías.
- ⚠ **ADVERTENCIA:** Para reducir el riesgo de lesiones, recargue tan sólo baterías recargables de níquelcadmio DEWALT. Otros tipos de baterías pueden estallar causando así lesiones y daños personales.
- ⚠ **ADVERTENCIA:** Bajo ciertas condiciones, cuando el cargador está conectado a la toma de corriente, los contactos de carga expuestos dentro del cargador pueden hacer contacto entre sí debido a algún material externo. Los materiales externos de naturaleza conductora tales como, pero sin limitarse a ellos, el alambre de acero, el papel aluminio o cualquier tipo de partícula

metálica, deben conservarse alejados de las cavidades del cargador. Desconecte siempre el cargador de la toma de corriente antes de limpiarlo.

⚠ **PELIGRO:** Alto voltaje en las terminales de carga. No haga pruebas con objetos conductores. Hay peligro de choque eléctrico o electrocución.

⚠ **ADVERTENCIA:** No permita que ningún líquido se introduzca en el cargador, ni exponga éste a la lluvia o la nieve, puede originarse una descarga eléctrica.

- **El cargador y la batería están especialmente diseñados para trabajar juntos.** No intente cargar la batería con otros cargadores que no sean los descritos en este manual.
- **Estos cargadores no están diseñados para usos diferentes a la carga de las baterías recargables DEWALT.** Cualquier otro uso puede originar riesgos de incendio, choque eléctrico o electrocución.
- **Para reducir los riesgos de daño del enchufe y del cable eléctrico, cuando desconecte el cargador tire del enchufe, no del cable.**
- **Asegúrese de que el cable eléctrico esté colocado de manera que no lo pisen,** enreden o quede expuesto a una tensión que pueda averiarlo.
- **Trate de no utilizar cables de extensión a menos que sea absolutamente necesario.** El uso de una extensión inadecuada puede ocasionar incendios, descargas eléctricas o electrocución.
- **Por seguridad, el cable de una extensión debe tener una dimensión adecuada (AWG o American Wire Gauge).** En la medida que el calibre de un cable es menor, mayor es su capacidad; el cable calibre 16 tiene una mayor capacidad que el calibre 18. Cuando esté utilizando más de una extensión para lograr la longitud deseada, asegúrese que cada extensión

cumpla con las normas mínimas en cuanto al calibre del cable.

Calibre mínimo requerido (AWG) para cables de extensión

Longitud total del cable de extensión

25	50	75	100	125	150	175
7.6 m	15.2 m	22.9 m	30.5 m	38.1 m	45.7 m	
53.3 m						

Calibre promedio del alambre

18	18	16	16	14	14	12
----	----	----	----	----	----	----

- **El cargador se ventila a través de las ranuras que se encuentran en las partes superior e inferior de la cubierta.** No coloque ningún objeto sobre el cargador ni coloque éste en una superficie suave que pueda bloquear las ranuras de ventilación ocasionando un calor interno excesivo. Coloque el cargador en un lugar alejado de cualquier fuente de calor.
- **No utilice el cargador si el cable o el enchufe se encuentran dañados;** hágalos reparar de inmediato.
- **No utilice el cargador si ha recibido algún golpe, si se ha caído o si presenta cualquier otro daño;** llévelo a un Centro de servicio autorizado.
- **No desarme el cargador, llévelo a un Centro de servicio autorizado cuando requiera ser reparado.** Ensamblarlo de modo incorrecto puede ocasionar descargas eléctricas, electrocución o incendios.
- **Desconecte el cargador antes de intentar limpiarlo para reducir el riesgo de descargas eléctricas.** El retiro de la batería no reducirá este riesgo.
- **NUNCA** intente conectar 2 cargadores juntos.
- **No utilice el cargador con cualquier otra fuente de energía diferente a la indicada en la placa de descripción de características de la batería.**

Cargadores

Su batería DEWALT puede ser cargada en un cargador DEWALT de 1 hora, de 15 minutos o en cargadores vehiculares de 12 voltios. Asegúrese de leer todas las instrucciones antes de utilizar su cargador.

Consulte el cuadro que se encuentra al respaldo para conocer la compatibilidad de los cargadores y las baterías

Utilización del modo Tune-up™

El modo Tune-up™ nivelará o mantendrá en equilibrio las células individuales que se encuentran al interior de la batería a su máxima capacidad. Este ciclo puede tomar hasta 8 horas. Las baterías deben ser niveladas semanalmente o después de 10 a 20 ciclos de carga/descarga, o cuando ya no funcione adecuadamente.

1. Para nivelar su batería, introdúzcala en el cargador como de costumbre. La luz roja parpadeará continuamente indicando que el proceso de carga ha comenzado.
2. Usted podrá presionar el botón Tune-up™ en cualquier momento, después de que la carga haya empezado a funcionar. La luz roja dejará de parpadear momentáneamente, enseguida lo hará 3 veces rápidamente y luego continuará parpadeando de manera continua. Esto indica que el cargador se encuentra nivelando sus baterías.
3. Una vez terminado el ciclo de carga, la luz seguirá encendida de manera continua. El paquete se encuentra completamente cargado y podrá ser utilizado en ese momento o usted podrá dejarlo en el cargador.
4. Si usted selecciona el modo Tune-up™ y cambia de parecer, retire la batería del cargador. Después de 5 segundos, inserte nuevamente la batería en el cargador. El ciclo de carga normal comenzará en ese momento.

Procedimiento de Carga

CARGADORES DE 1 HORA

1. Conecte el cargador a una toma de corriente alterna adecuada.
2. Introduzca la batería en el cargador, como se ilustra en la figura 1, asegurándose de que la batería haya asentado bien en el cargador. La luz roja (de carga) parpadeará indicando que el proceso de carga ha comenzado.
3. La batería quedará completamente cargada en aproximadamente 1 hora. La luz roja quedará ENCENDIDA de forma continua, indicando que el proceso de carga ha terminado. La batería ha quedado completamente cargada y podrá ser utilizada en ese momento o podrá dejarse en el cargador.

INDICADORES DE PROBLEMAS

Estos cargadores han sido diseñados para detectar ciertos problemas que pueden surgir con las baterías, los cuales serán indicados por una luz roja que se enciende de manera intermitente a gran velocidad (y, en el caso de Cargadores de 15 minutos, por un sonido continuo). Si esto ocurre, coloque nuevamente la batería en el cargador. Si el problema persiste, pruebe con otra batería para determinar si el cargador está en buen estado. Si la segunda batería carga correctamente, esto significa que la primera se encuentra defectuosa y que debe llevarla a un Centro de servicio para su reciclaje. Si la segunda batería hace que el cargador indique el mismo problema que la primera, lleve el cargador a un Centro de servicio autorizado para su verificación.

LINEA DE ALIMENTACION PROBLEMÁTICA

Si su cargador cuenta con un Indicador de fallas en la línea de energía eléctrica: Cuando estos cargadores se utilizan con fuentes de poder portátiles tales como generadores, o plantas que convierten corriente continua en corriente alterna, el cargador

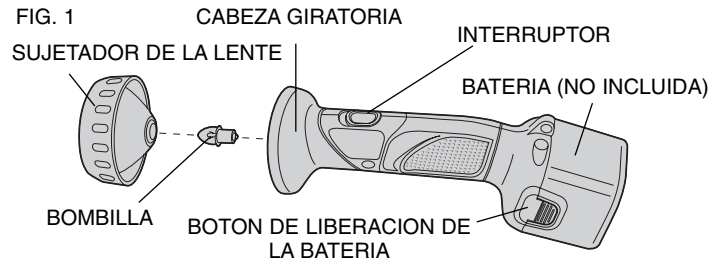
puede suspender su funcionamiento temporalmente, **encendiendo la luz roja dos veces de manera intermitente**, seguidas de una pausa. Esto indica que la alimentación de corriente está más allá de sus límites.

RETARDADOR PARA BATERIAS CALIENTES

Si su cargador cuenta con el Retardador para baterías calientes, éste detecta cuándo una batería está caliente y se coloca en Modo de retardo de carga, suspendiendo así la carga hasta que la batería se haya enfriado. Una vez enfriada la batería, el cargador pasará automáticamente al Modo de carga de batería. Este dispositivo asegura la máxima duración a su batería. La luz roja parpadea a intervalos largos y lo hace a intervalos cortos cuando está en el Modo de retardo de carga.

CARGADORES DE 15 MINUTOS

1. Conecte el cargador a una toma de corriente alterna adecuada. El cargador emitirá un sonido dos veces, enseguida la luz roja parpadeará y luego se apagará.
2. Introduzca la batería en el cargador, tal como se ilustra en la figura 1, asegurándose de que la batería se encuentre bien asentada en el cargador. La luz roja parpadeará y el cargador emitirá un sonido indicando que el proceso de carga ha comenzado.



3. Normalmente, la batería quedará completamente cargada en menos de 15 minutos. Una vez que la batería se encuentre cargada, la luz roja quedará ENCENDIDA en forma continua y se escucharán tres sonidos. La batería ha quedado completamente cargada y podrá ser utilizada en ese momento o podrá dejarse en el cargador.

PARA TODOS LOS CARGADORES

Dejar la batería en el cargador: Cuando la luz roja permanece encendida significa que el cargador ha pasado al modo de “nivelado de carga”, el cual dura aproximadamente 4 horas, al final de las cuales cambiará al modo de “mantenimiento de carga”. La batería puede ser retirada del cargador en cualquier momento durante estos ciclos de carga; su carga será total tan sólo si la luz roja se encuentra ENCENDIDA permanentemente. El cargador y la batería pueden dejarse conectados indefinidamente mientras la luz roja esté encendida. El cargador mantendrá la batería completamente cargada. La batería perderá su carga lentamente después de ser retirada del cargador. Si la batería no se ha dejado en carga de mantenimiento, puede necesitar ser recargada antes de utilizarse nuevamente. La batería también puede perder lentamente la carga si se deja en un cargador que no esté conectado a una toma de corriente alterna apropiada.

BATERÍAS DÉBILES

El cargador de 15 minutos también puede detectar cuándo una batería se encuentra débil. Tales baterías se pueden emplear pero no debe esperarse de ellas un alto rendimiento. En tales casos, aproximadamente 10 segundos después de haber insertado la batería en el cargador, éste emitirá 8 sonidos intermitentes rápidamente, para indicar el estado débil de la batería. Después, el cargador continuará con la recarga de la batería hasta la máxima capacidad posible.

Notas importantes acerca de la carga

1. Para obtener un mayor rendimiento y una mayor vida útil de su batería, cárguela cuando la temperatura oscile entre 18° y 24°C (65° y 75°F). NO cargue la batería cuando la temperatura es inferior a 4.5°C (40°F), o superior a 40.5°C (105°F). Esto es muy importante y le evitará serios daños a la batería.
2. El cargador y la batería pueden sentirse calientes al tacto durante la carga. Esto es una condición normal y no indica ningún problema.
3. Si la batería no carga apropiadamente - (1) Verifique la corriente en la toma conectando una lámpara u otro aparato eléctrico. (2) Verifique si la toma está conectada a un interruptor que corte la corriente cuando apaga las luces. (3) Lleve el cargador con la batería a un lugar en donde la temperatura del aire esté entre 18° y 24°C (65° y 75°F). (4) Si los problemas de carga persisten, lleve o envíe la herramienta, la batería y el cargador a su Centro de servicio local.
4. La batería debe recargarse cuando deja de producir suficiente potencia en trabajos que se hicieron fácilmente con anterioridad. NO CONTINÚE utilizándola en estas condiciones. Siga los procedimientos de carga. Usted puede cargar una batería parcialmente usada cuando lo desee sin que ésta sufra efectos adversos.
5. Bajo ciertas condiciones, con el cargador conectado a la toma de corriente, los contactos de carga expuestos dentro del cargador pueden hacer contacto entre sí debido a algún material externo. Los materiales externos de naturaleza conductora tales como, pero sin limitarse a ellos, el alambre de acero, el papel aluminio o cualquier tipo de partícula metálica, deben conservarse alejados de las cavidades del cargador.

Desconecte el cargador siempre que no se encuentre una batería en su receptáculo. Desconecte siempre el cargador de la toma de corriente antes de limpiarlo.

5. No sumerja el cargador en agua o cualquier otro líquido.

⚠ ADVERTENCIA: No permita que ningún líquido se introduzca en el cargador. Esto puede originar una descarga eléctrica. Para facilitar el enfriamiento de la batería después de su utilización, evite colocar el cargador o la batería en un lugar caliente, tales como un galpón metálico o un remolque sin aislamiento térmico.

⚠ ADVERTENCIA: Nunca intente abrir la batería por ninguna razón. Si el recubrimiento plástico de la batería se rompe o se quiebra, llévela a un Centro de servicio para su reciclaje.

Interruptor

Para encender la linterna, deslice el interruptor hacia adelante. Para apagarla, deslice el interruptor hacia atrás.

Cabeza giratoria (figura 2)

Su linterna de trabajo cuenta con una cabeza. Para convertir su linterna en un modelo de ángulo recto, tome el extremo frontal hacia adelante del interruptor, como se muestra, y sujete el extremo trasero firmemente. Gire el extremo frontal en el sentido de las manecillas del reloj (vista desde la lente) hasta que la cabeza gire 90 grados y haga clic al llegar a su posición. Para regresar la linterna a su posición recta, gire la cabeza en sentido contrario a las manecillas del reloj (vista desde la lente) hasta que haga clic y quede en la posición recta.

FIG. 2

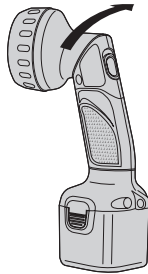
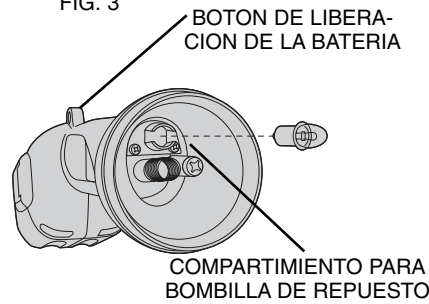


FIG. 3



Reemplazo de la bombilla

Linterna de trabajo Cat.No.	Bombilla de respuesto Cat. No.
DW902	DW9023
DW904	DW9043
DW906	DW9063
DW908	DW9083

Para reemplazar la bombilla, destornille el sujetador de la lente primero. Tire de la bombilla e inserte una nueva. Reinstale el sujetador de la lente. **NOTA:** No mire directamente el haz de luz de la linterna.

Compartimiento para bombilla de repuesto (figura 3)

Para guardar una bombilla, sencillamente destornille el sujetador de la lente y quítelo. Dentro del cuerpo de la linterna se encuentra el casquillo de almacenaje. Para sacar la bombilla, sencillamente tire de ésta hacia afuera del compartimiento.

NOTA: el uso de una batería completamente cargada puede disminuir la vida de la bombilla.

Limpieza

Use solamente jabón suave y un trapo mojado para limpiar la herramienta. Muchos detergentes de casa contienen materias químicas que podrían causar serio daño al plástico. Tampoco use gasolina, trementina, diluyentes de barniz y pintura, líquidos de tintorería o productos similares. Nunca permita que ningún líquido penetre al interior de la herramienta; nunca sumerja ninguna parte de la herramienta en un líquido.

Accesorios

Los accesorios recomendados para uso con su herramienta son disponibles a costo adicional en su centro de servicio local.

Si necesita alguna ayuda en localizar cualquier accesorio, por favor, comuníquese con DEWALT Industrial Tool Co., 701 East Joppa Road, Baltimore, MD 21286 o llame al 1-800-732-4441.

⚠️ ADVERTENCIA: El uso de cualquier otro accesorio o suplemento puede ser peligroso. Suplementos para el riego de agua (usados en cortes de cerámica) no son recomendados para el uso con esta herramienta.

Reparaciones

Para garantizar la SEGURIDAD y la CONFIABILIDAD, deberán hacerse reparaciones, mantenimiento y ajustes de esta herramienta en los centros autorizados de servicio DEWALT u otras organizaciones autorizadas. Estas organizaciones prestan servicio a las herramientas DEWALT y emplean siempre refacciones legítimas DEWALT.

Póliza de Garantía

IDENTIFICACIÓN DEL PRODUCTO:

Sello o firma del Distribuidor.

Nombre del producto: _____ Mod./Cat.: _____

Marca: _____ Núm. de serie: _____

(Datos para ser llenados por el distribuidor)

Fecha de compra y/o entrega del producto: _____

Nombre y domicilio del distribuidor donde se adquirió el producto: _____

Este producto está garantizado por un año a partir de la fecha de entrega, contra cualquier defecto en su funcionamiento, así como en materiales y mano de obra empleados para su fabricación. Nuestra garantía incluye la reparación o reposición del producto y/o componentes sin cargo alguno para el cliente, incluyendo mano de obra, así como los gastos de transportación razonablemente erogados derivados del cumplimiento de este certificado.

Para hacer efectiva esta garantía deberá presentar su herramienta y esta póliza sellada por el establecimiento comercial donde se adquirió el producto, de no contar con ésta, bastará la factura de compra.

EXCEPCIONES.

Esta garantía no será válida en los siguientes casos:

- Cuando el producto se hubiese utilizado en condiciones distintas a las normales;
- Cuando el producto no hubiese sido operado de acuerdo con el instructivo de uso que se acompaña;
- Cuando el producto hubiese sido alterado o reparado por personas distintas a las enlistadas al final de este certificado.

Anexo encontrará una relación de sucursales de servicio de fábrica, centros de servicio autorizados y franquiciados en la República Mexicana, donde podrá hacer efectiva su garantía y adquirir partes, refacciones y accesorios originale.

Garantía Completa

Las herramientas industriales DEWALT están garantizadas durante un año a partir de la fecha de compra. Repararemos, sin cargos, cualquier falla debida a material o mano de obra defectuosos. Por favor regrese la unidad completa, con el transporte pagado, a cualquier Centro de Servicio para Herramientas Industriales de DEWALT o a las estaciones de servicio autorizado enlistadas bajo "Herramientas Eléctricas" en la Sección Amarilla. Esta garantía no se aplica a los accesorios ni a daños causados por reparaciones efectuadas por terceras personas. Esta garantía le otorga derechos legales específicos, y usted puede tener otros derechos que pueden variar de estado a estado.

En adición a la garantía, las herramientas DEWALT están amparadas por nuestra:

GARANTÍA DE SATISFACCIÓN SIN RIESGO POR 30 DÍAS

Si usted no se encuentra completamente satisfecho con el desempeño de su herramienta industrial DEWALT, sencillamente devuélvala a los vendedores participantes durante los primeros 30 días después de la fecha de compra para que le efectúen un reembolso completo. Por favor regrese la unidad completa, con el transporte pagado. Se puede requerir prueba de compra.

REEMPLAZO GRATUITO DE LAS ETIQUETAS DE ADVERTENCIA: Si las etiquetas de advertencia se tornan eligibles o se pierden, llame al 1-800-4-DEWALT para reemplazarlas sin costo alguno.

**PARA REPARACION Y SERVICIO DE SUS HERRAMIENTAS
ELECTRICAS FAVOR DE DIRIGIRSE AL CENTRO DE SERVICIO
MAS CERCANO**

AGUASCALIENTES Av. de los Maestros 903 Col. España	449-913-38-01
CAMPECHE Av. Gobernadores 345 Col. Santa Ana	981-811-34-90
CHIAPAS 5 Norte Oriente 460 Col. Centro	961-600-02-87
CHIHUAHUA Av. Universidad 2903 Col. Universidad	614-413-64-04
DURANGO Av. 20 de Noviembre 2004 Ote Col. Centro	618-818-80-77
GUANAJUATO 1 Mayo 482 Col. Centro	462-626-79-22
GUADALAJARA Av. Vallarta 4901-a Col. Prados Vallarta	333-673-28-15
MÉXICO 16 de Septiembre 509 Col. Alce Blanco	55-358-40-07
OAXACA Av. Hidalgo 1303 Col. Centro	951-514-46-12
SINALOA Blvd. Manuel J. Clouthier 3027 Col. Lomas del Blvd.	667-717-89-99
SAN LUIS POTOSI Av. Universidad 1525 Col. San Luis	444-814-23-83
SONORA Nayarit 217 Col. San Benito	662-210-25-50
TABASCO Periferico 2047 Col. Periferico	993-350-38-72
TAMAULIPAS Tiburcio Garza Zamora 1185 Col. Beatty	813-374-24-16
YUCATÁN Calle 63 No. 459 Col. Centro	999-923-08-49
TAMPICO Av. Hidalgo 1801 Col. Aurora	833-213-42-61

PARA OTRAS LOCALIDADES LLAME AL: 326 7100

IMPORTADOR: DeWALT S.A. DE C.V.
BOSQUES DE CIDROS ACCESO RADIATAS NO. 42
COL. BOSQUES DE LAS LOMAS, 3A. SECCIÓN, CP 05120
DELEGACIÓN CUAJIMALPA, MÉXICO, D.F.
TEL. 5 326 7100
R.F.C.: BDE810626-1W7

Para servicio y ventas consulte
"HERRAMIENTAS ELECTRICAS"
en la sección amarilla.

