

INSTRUCTIONS Yard Tender 81 - 101 UNITS

Congratulations on the purchase of the **Yard Tender 81** or **Yard Tender 101**. These sprayers allow the easiest and most comfortable way for all spraying projects. These units have been skillfully engineered to all but eliminate the problems inherent in most sprayers. It is strongly recommend you **carefully read** and follow all the information on this sheet before using, and then save for future reference.

Included in the box, please find the following:

- 1) PUMP HANDLE & PUMP LEVER.
- 2) SPRAYER (Pump Module installed).
- 3) HIP SUPPORT.
- 4) SPARE PARTS (bag with locking pins & washer).

PUMP HANDLE The pump handle is made of a flat steel with a plastic grip on one end, and a round tube welded to the opposite side at right angle. The flat bar has a hole 1/2" in diameter. This hole is located 2 1/4" from the round tube. (See figure 1).

PUMP LEVER The pump lever is made of a 1/2" solid round steel bar with two bends, one on either side of the bar. (See figure 1).

PUMP MODULE Pump module is installed in the sprayer. Now proceed to install pump handle and lever.

ASSEMBLY OF PUMP HANDLE PUMP LEVER & PUMP MODULE Pull sprayer, pump lever, pump handle, spray wand, plastic bag (with washers and pins), etc. out of box. Place parts in front of you. Take the pump lever, there are bends on either side. (See figure 2). Place one washers through the bar, then push lever through opening on pump, place washer on pump lever and then place hairpin lock and push through.

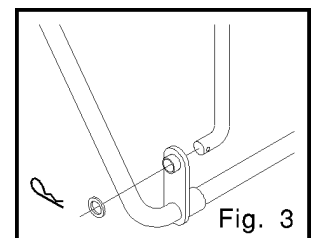
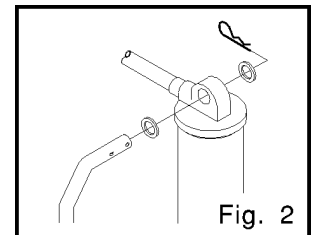
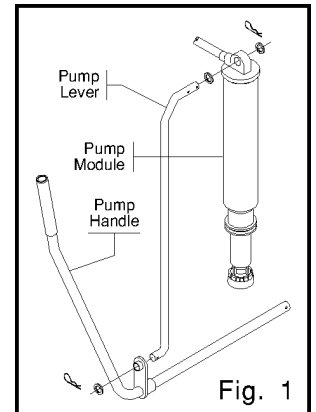
On the same side where the pump is located, place the round portion of the pump handle through the hole on the base of the sprayer. When it is almost through, place the bent portion of the pump lever through the hole on the flat portion of the handel. Once through, place on one washer and then the locking pin. (See figure 3). The round tube comes through the base of the unit and extends out 1/4", exposing the hole drilled through the tube. Place on the other washer and the other holding pin. The pump handle assembly is now complete.

HIP SUPPORT Take the black plastic hip portion and side the two end sections into the two receiving notches on the base, the rounded side up.

STRAPS Hook the metal clip attached to the shoulder straps into the appropriate lateral opening on the hip support.

SPRAY WAND AND NOZZLE Attach spray wand to spray gun and firmly tighten. To adjust nozzle, tighten (turn clockwise), cap for a fine atomized spray, or loosen (turn counter clockwise), for a coarser spray or solid stream.

THE SPRAYER IS NOW READY TO USE.



HOW TO PREPARE YOUR UNIT FOR USE:

1. Always oil the seal inside the cap of unit before using, as well as the check valve. This will extend life of seal, and it is important for obtaining a leakproof barrier.
2. A unit that has been used with herbicides should never be used to spray insecticides, unless the sprayer has been properly cleaned and all other chemicals neutralized. Failure to do this could cause you to kill plants sprayed. **Consult with the manufacturer of the chemicals** in use for proper instructions.
3. Remove cap leaving strainer in place.
4. Mix solution in a separate receptacle, following manufacturer's directions on the container.
5. Pour pre-mixed solution into sprayer and fasten cap securely.
6. Place sprayer on back and pressurize by pumping approximately 5 to 11 times.
7. Normal working pressure should be from 25 psi to 40 psi. Too much pressure will waste chemical and over apply.
8. Pump occasionally to maintain the desired spraying pressure.

For accurate measured spray output, ask a distributor or dealer about the miniature regulator with gauge (Kit B40). With proper application of chemicals, the monies saved will pay for the regulator.

HOW TO CLEAN AND MAINTAIN:

1. Remove cap and pour out any remaining spray solution. Rinse all parts thoroughly with clean water.
2. Leaving approximately one gallon of fresh water in the tank, pressurize and flush pumping system by depressing trigger for at least 2 minutes. Then drain all remaining water from tank, and repeat this process two times. To properly neutralize chemicals, a neutralizing solution mentioned in the "Trouble-Shooting" guide should be used.
3. Always store tank clean and empty in a dry shaded location.

HOW TO CHANGE OUT THE PUMP PISTON:

1. Pull pump module out of sprayer, empty pump and wipe clean. Turn pump module upside down. Piston is held in by a plastic screw, turn counter clockwise to unscrew. Remove old piston, place new piston on the plastic support piece. Put piston in place and hand tighten the screw. Make sure not to lose the stainless steel ball inside the pump module.

FAILURE TO FOLLOW MANUFACTURERS RECOMMENDATION ON USE AND CARE OF UNIT WILL VOID ANY EXPRESSED OR IMPLIED WARRANTY.

- Please read and follow all instructions before using sprayer.
- THIS IS HIGH PRESSURE UNIT. BE CAREFUL!!!
 - Always inspect your sprayer thoroughly before and after each use. Check to be sure hose is securely attached and in good condition before pressurizing tank.
 - We strongly recommend that protective clothing be worn when using sprayer (face mask, goggles, gloves, etc.) to avoid potential exposure to eyes, lungs, or skin.
 - Never pressurize sprayer until ready to use.
 - Never leave sprayer unattended after filling.
 - Never leave unit unattended while pressurized.
 - Carefully read and follow all chemical manufacturers instructions.
 - Use with adequate ventilation. Avoid breathing harmful vapor or spray mist.
 - Do not spray on windy days.
 - NEVER use GASOLINE or other FLAMMABLE or HOT materials or solution in tank. This could cause contents under pressure to explode.
 - Never use caustic or corrosive materials in sprayer, which could result in damage to unit.
 - Never attempt to pressurize unit by any other method than with the pump module provided. Never over-pressurize unit.
 - Clean and rinse tank and spraying assembly after each use to prevent crystallizing, which would later cause clogging and chemical damage to unit.
 - Do not store sprayer under pressure or with spray solution in tank.
 - Use only appropriate SP Systems replacement parts.
 - Keep out of reach of children.
 - This unit should not be used for other things that which it was intended
 - Use extreme caution when using this unit