

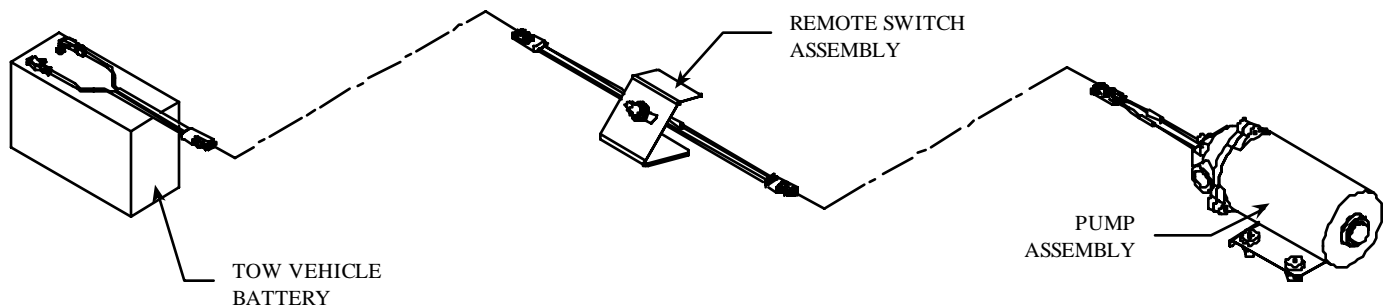
Model No. 250555B Component List

Diag. #	Part #	Description	Qty.
1	30789	2-Way Connector 72" ,14 GA.	2
2	5253	Insulated Female Spade	2
3	5250	On-Off Switch	1
4	34026	Switch Bracket	1
5	5260	On-Off Plate	1
6	35363	5/8" x 2" Velcro Set	2

ASSEMBLY INSTRUCTIONS

1. Connect the remote switch by plugging one of the leads into the plug which is already connected to your vehicle's battery. Plug the other lead into the plug on the pump. Attach the remote switch assembly to a convenient spot on your tow vehicle with the velcro strips provided (Fig 00597). *For correct polarity, make sure when plugged in:*

red wires line up with red wires and black wires line up with black wires.



00597

* If you purchased this remote switch for a use other than a North Star sprayer, then:

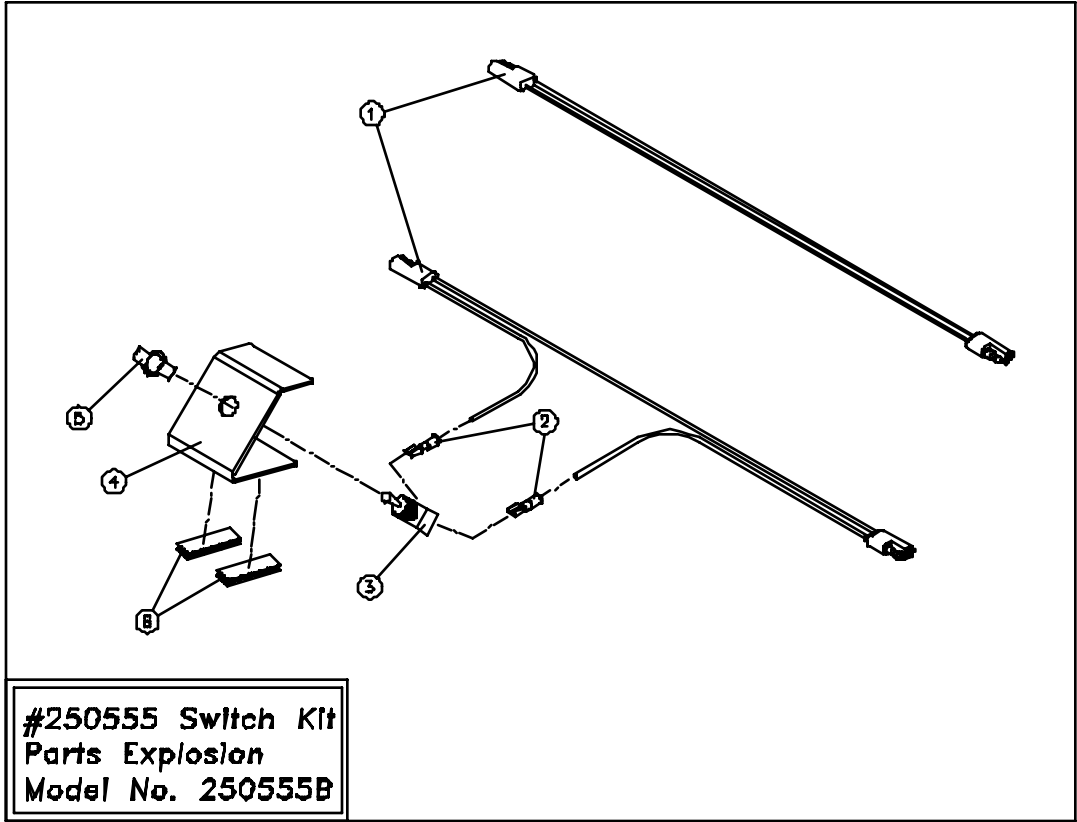
- a. Cut the additional 2-way connector provided into whatever lengths you desire.
- b. Attach one half to the 12 volt motor you wish to power.
- c. Attach the other half to the 12 volt power source.
- d. Refer back to step 1.

SAFETY INSTRUCTIONS

NEVER use this switch for applications that draw more than 15 amps.

NEVER leave the remote switch plugged in when unattended, even if the switch is off.

ALWAYS use an appropriate size inline fuse if the motor manufacturer recommends it.



**#250555 Switch Kit
Parts Explosion
Model No. 250555B**