



# M22851A

ITEM NUMBER: \_\_\_\_\_ 22851 \_\_\_\_\_

ΣΕΡΙΑΛ ΝΥΜΒΕΡ: \_\_\_\_\_

# Owner's Manual

**Remote Switch: Outdoor agricultural sprayer kit used to remotely turn On/Off the boom.**



## **▲ WARNING**

### **Read this manual.**

Serious injury or death can result if safety instructions are not followed.






Everyone who operates this machine must read and completely understand all safety rules, operating instructions, and maintenance instructions.

fig01479

**Any Questions, Comments, Problems or Parts Orders**

Call NorthStar Customer Service 1-800-270-0810

# Hazard Signal Word Definitions

	<p>This is the safety alert symbol. It is used to alert you to potential personal injury hazards. Obey all safety messages that follow this symbol to avoid possible injury or death.</p>
	<p>DANGER (red) indicates an imminently hazardous situation which, if not avoided, will result in death or serious injury.</p>
	<p>WARNING (orange) indicates a potentially hazardous situation which, if not avoided, could result in death or serious injury.</p>
	<p>CAUTION (yellow) indicates a potentially hazardous situation which, if not avoided, may result in minor or moderate injury.</p>
	<p>CAUTION (yellow) used without the safety alert symbol indicates a potentially hazardous situation which, if not avoided, may result in property damage.</p>

rig01453

# Table of Contents

▲ Important Safety Rules .....	4
Unpacking.....	5
Assembly Instructions .....	6-10
▲ Operation Instructions .....	11
Parts Breakdown .....	12

# ▲ Important Safety Rules



## ▲ WARNING

### 1.) Read this manual completely.

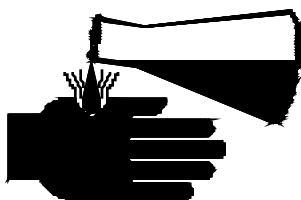
Serious injury or death can result if safety instructions are not followed.

- Everyone who operates the sprayer must read and completely understand all safety rules, operating instructions, and maintenance instructions.
- You must be 16 years of age or older to operate this sprayer.

### 2.) Chemicals are dangerous.

Serious injury or death can result if chemical manufacturer's instructions are not followed.

- Make sure boom nozzle points straight down prior to starting the sprayer. An incorrectly positioned boom nozzle may spray chemicals towards you (see Installation Instructions).
- Different chemicals may interact dangerously with each other, always flush the sprayer per the chemical manufacturer's directions before switching chemicals.
- Calculate the correct amount of chemical to mix, dispose of excess chemical per the manufacturer's instructions.
- When wind speeds exceed 4 MPH, don't spray. Chemicals can drift into undesired locations.
- Never operate this sprayer with broken, missing, or loose parts.
- Never spray flammable liquids.
- Never point the spray gun at people or animals.



### 3.) Towing hazards.

Serious injury or death can occur if towing safety rules are not followed.

- Be aware of the added length and width of the sprayer.
- Never ride or transport cargo on the sprayer.
- Drive the vehicle with the sprayer securely attached.
- Turn off the vehicle and sprayer before leaving the sprayer unattended.
- Read the vehicle owners manual before operating.
- Never tow or operate this sprayer while under the influence of alcohol, drugs, or medication.



## CAUTION



### 1.) Storage.

- Flush the sprayer with fresh water immediately after each use. Storing the sprayer with chemicals in the system will degrade all parts of the system.
- Relieve system pressure by squeezing the gun trigger.
- Protect the sprayer from freezing during storage.

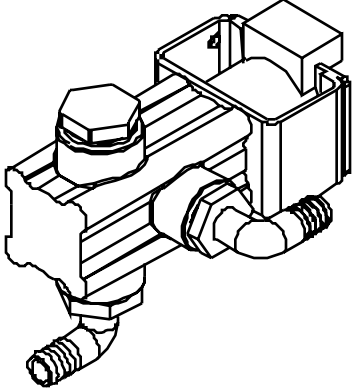
fig01500

# SAVE THESE INSTRUCTIONS

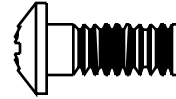
# Unpacking

**Closely inspect all contents in the shipping carton.**

- If you have damaged components then: Contact the freight company that delivered the unit and file a claim
- If you have missing components then: Contact Customer Service at 1-800-270-0810.



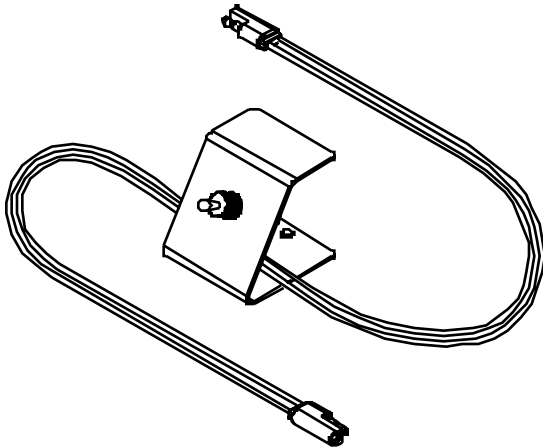
Solenoid Valve (1)



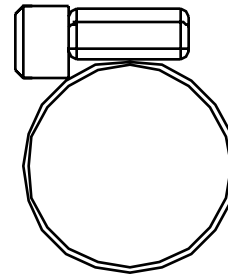
Screw (2)



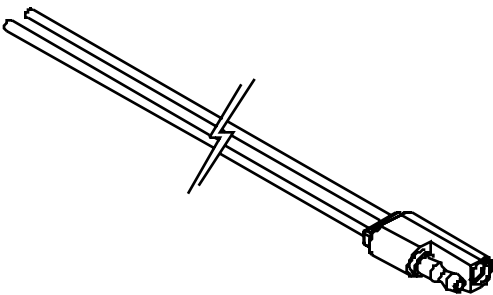
Lock Washer (2)



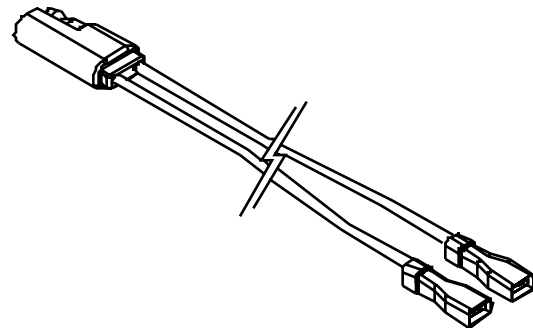
Remote Switch (1)



Hose Clamp (2)



Battery Power Cord (1)

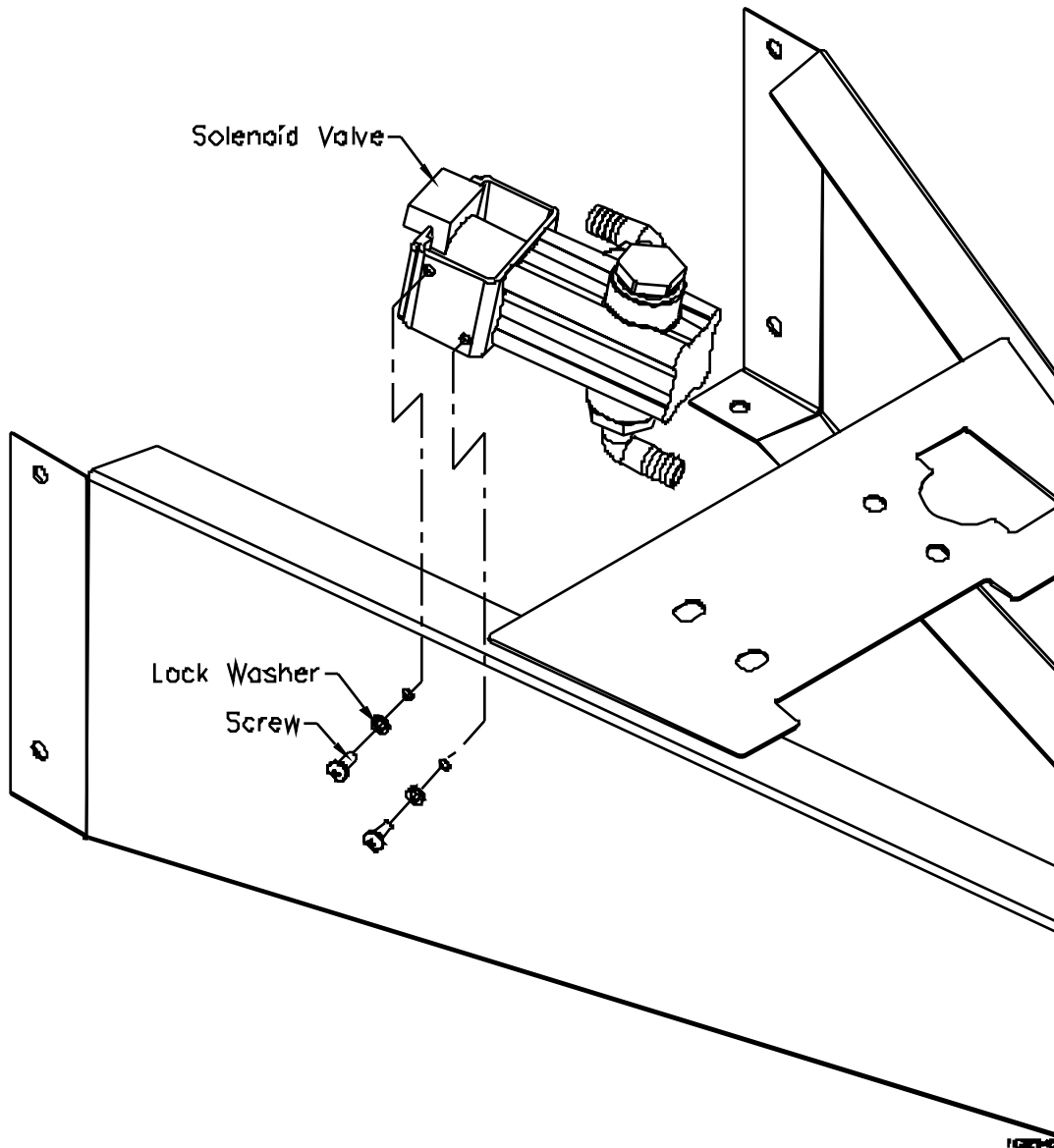
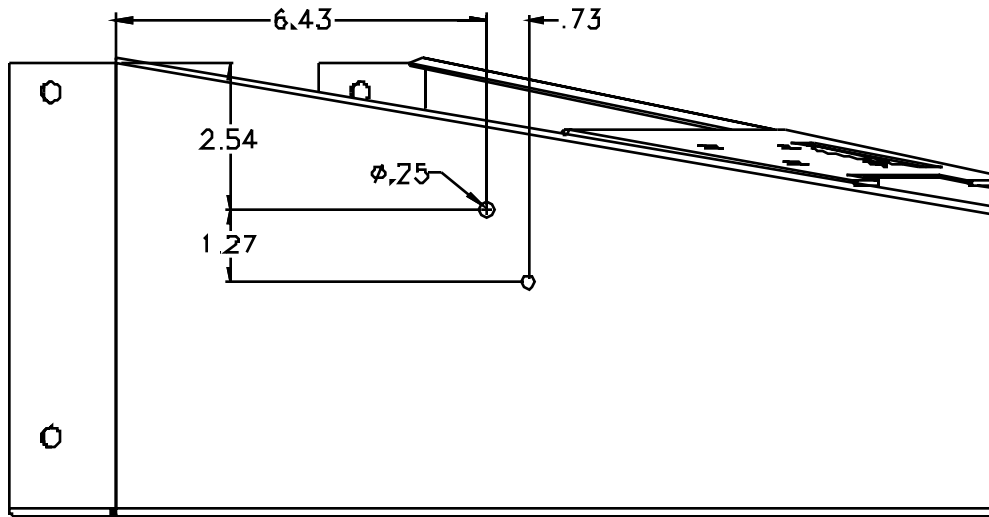


Solenoid Power Cord (1)

FK02045

# Assembly Instructions

- 1.) -Drill two ¼" holes on tongue of frame (if necessary).
- 2.) -Attach solenoid valve to tongue with the lock washers and screws.

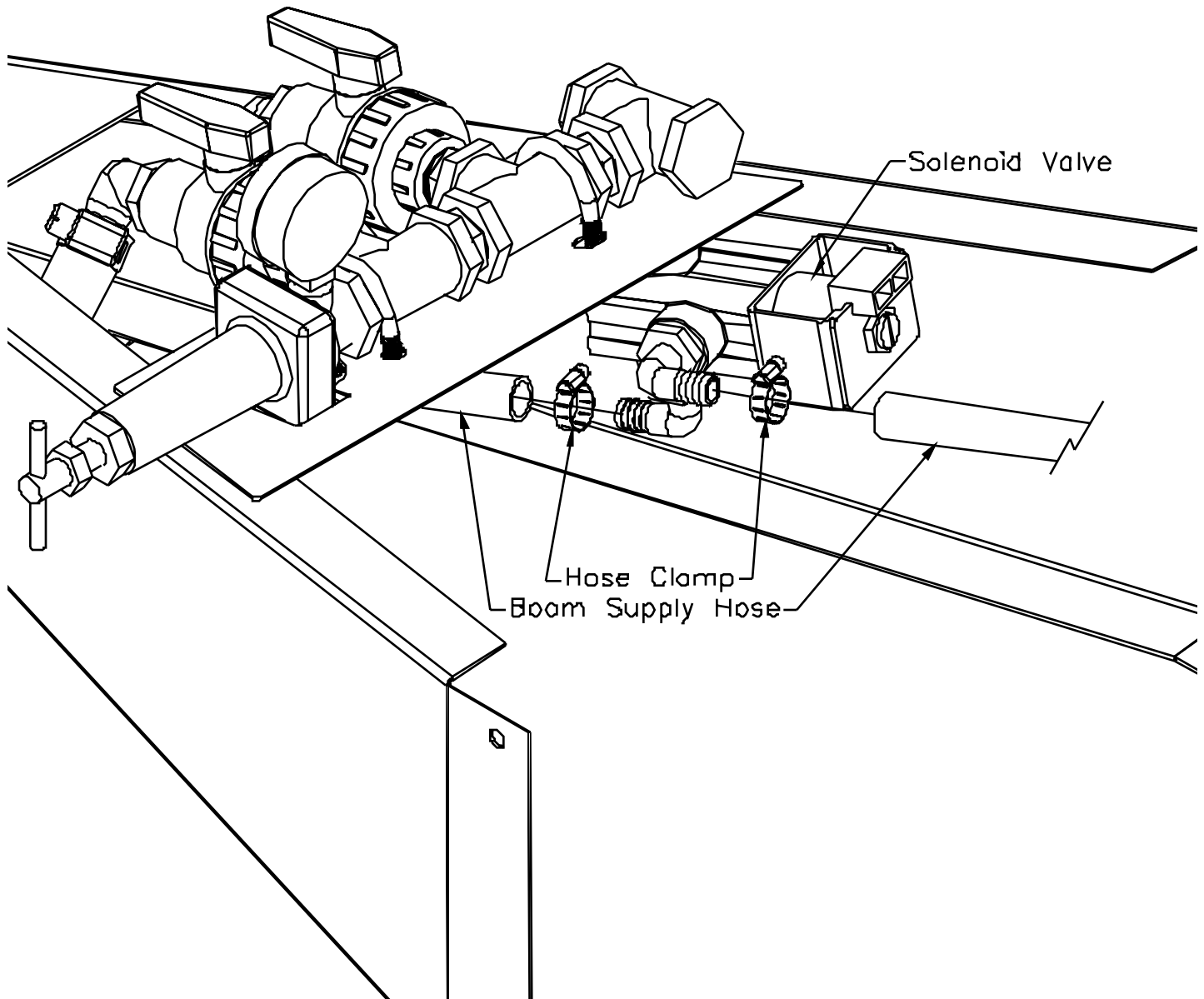


# Assembly Instructions

- 3.) -Splice the boom supply hose near the hose barbs on the solenoid valve.
- 4.) -Install the boom supply hoses to the solenoid valve. Follow the hose clamp instructions.

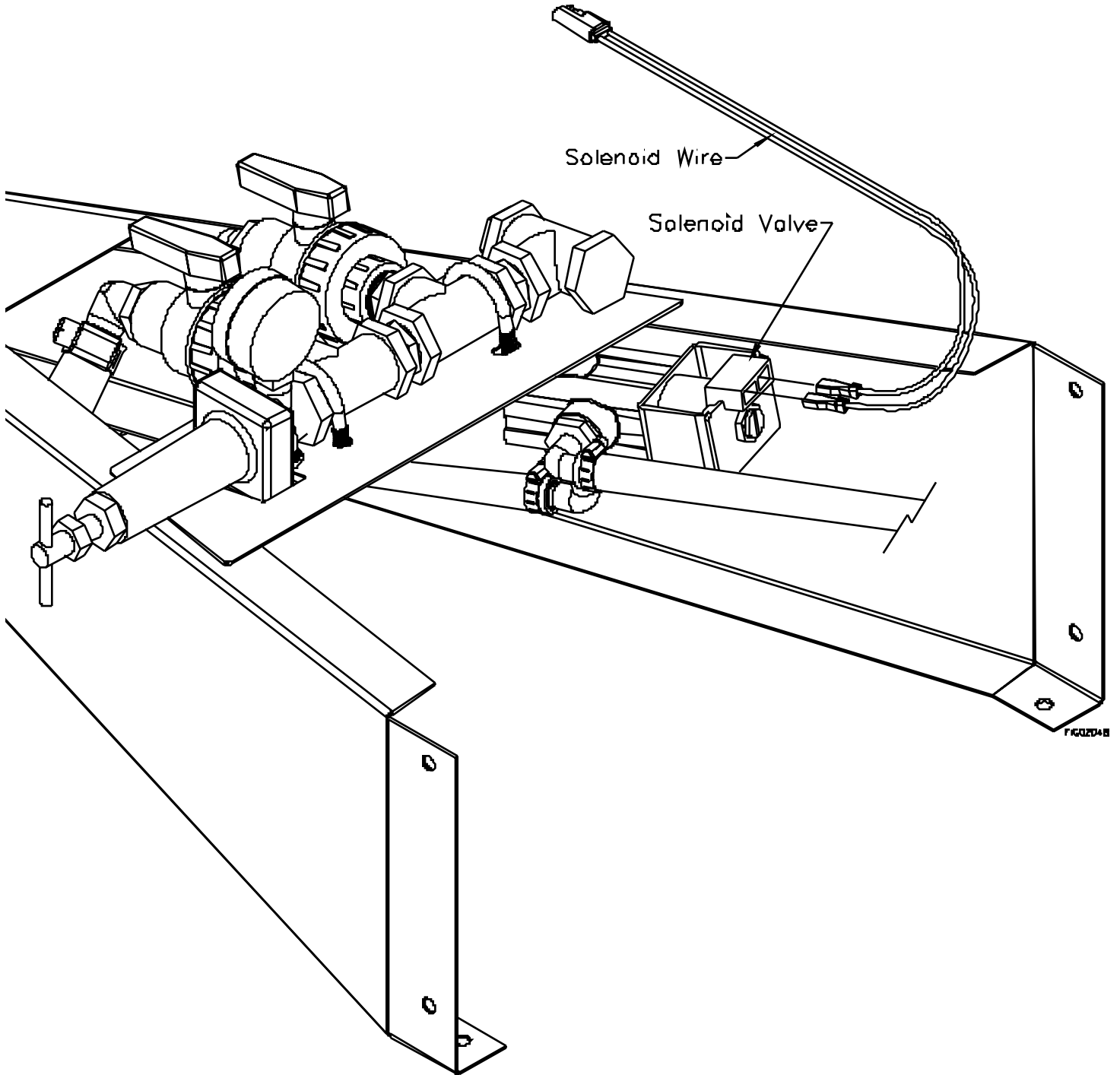
## Hose clamp installation instructions :

- I.) Slide hose clamp over the end of hose.
- II.) Push the hose onto the hose barb.
- III.) Slide the hose clamp over the hose barb.
- IV.) Tighten the hose clamp.



# Assembly Instructions

5.) -Connect the solenoid wire to the solenoid valve.



# Assembly Instructions

6.) -Disconnect the vehicle battery ground wire.

-Connect the bare end of the red wire of the battery power cord to positive(+) terminal of the battery.

-Connect the bare end of the black wire of the battery power cord to negative(-) terminal of the battery.

-Reconnect the vehicle battery ground wire.

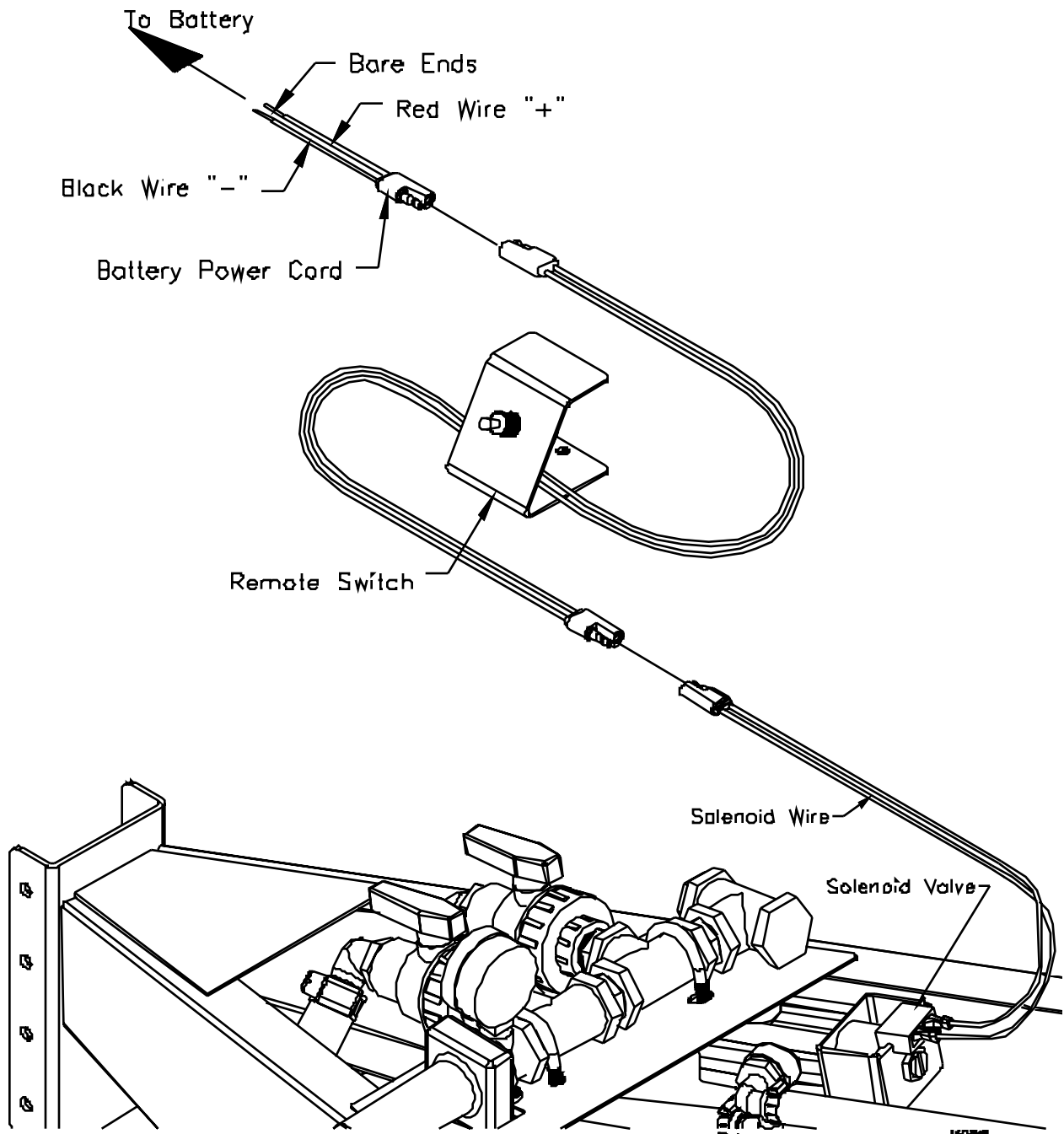
- When you would like to spray, put the remote switch in the "OFF" position.

-Connect the battery power cord to the remote switch (red wire to red wire).

-Connect the solenoid wire to the remote switch.

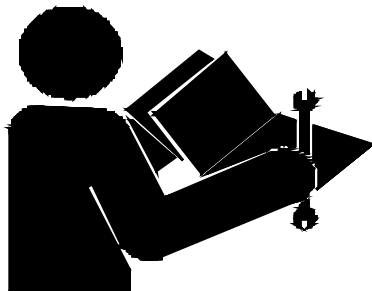
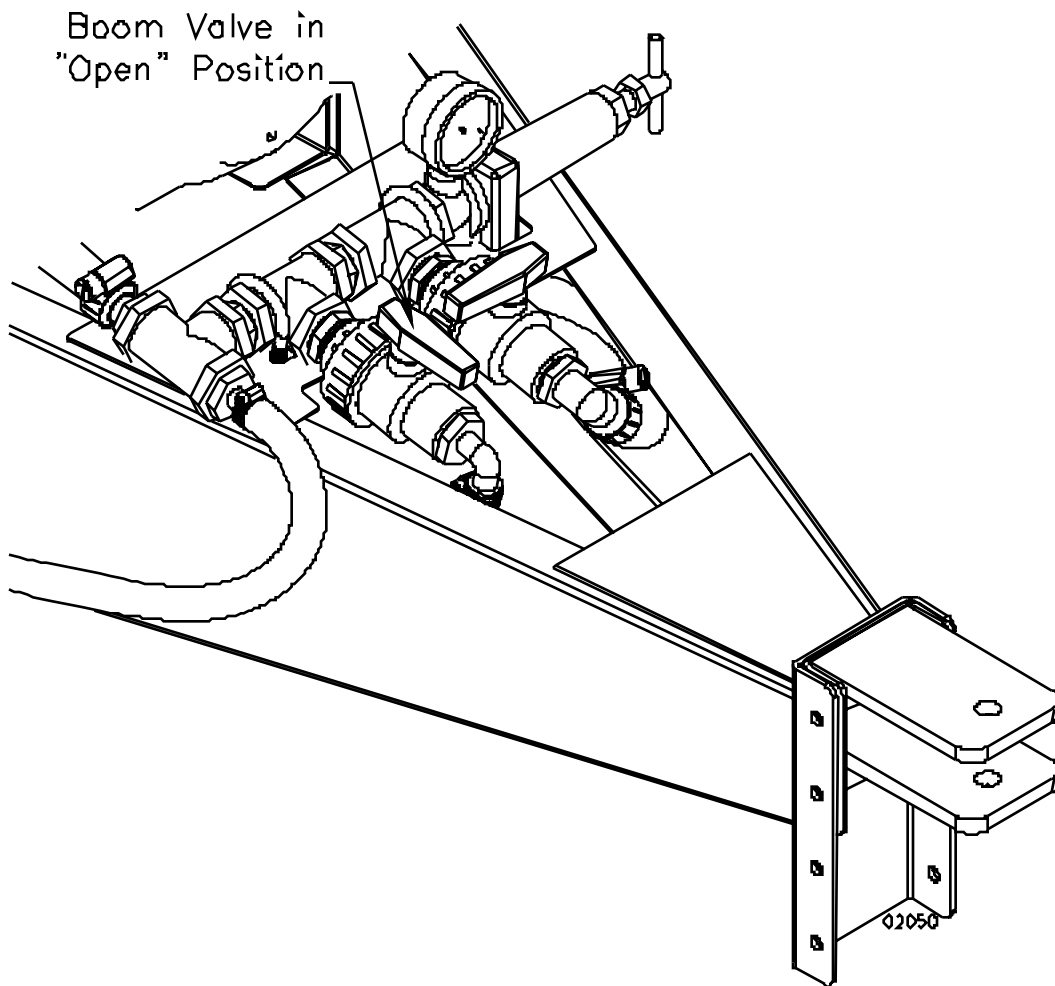
-Disconnect the battery power cord from the remote switch power cord after each use.

-The battery power cord may remain connected to the battery while the sprayer is not being operated



# Assembly Instructions

- 5.) Before operating the sprayer with chemicals, test for leaks, and learn the sprayer operation.
- A. Fill the tank with water.
  - B. Connect the power cords to the solenoid valve. Turn the remote switch off.
  - C. Start the sprayer per the 282711 owner's manual.
  - D. Open the boom ball valve.
  - E. Turn on the remote switch, the boom should begin to spray.
  - F. Check for leaks throughout the system. If a leak is detected, fix the leak and re-test the system.



## ▲ WARNING

### Assembly is now complete.

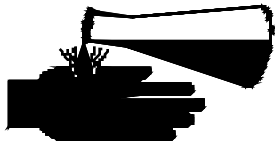
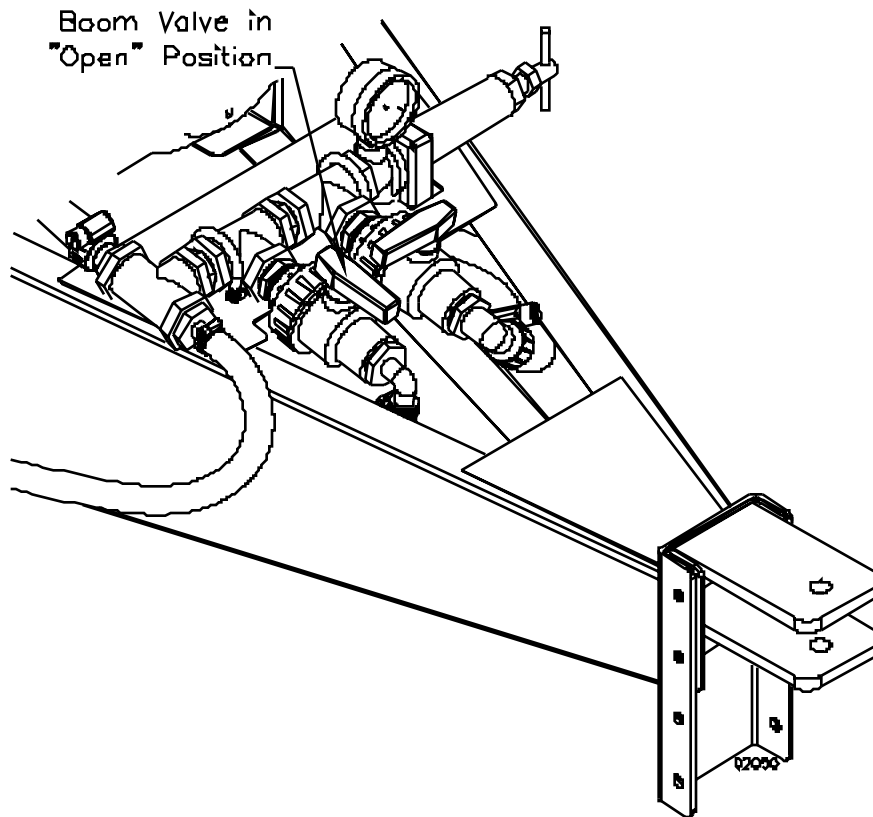
Check to make sure all nuts, bolts, and hose clamps are tight to assure the sprayer is in safe working condition. Never modify the sprayer design. Serious injury will result if assembly steps are not followed or the design of the sprayer is modified.

Fig014B4

# ▲ Operation Instructions

## Proper Operation of the Remote Switch

- 1.) Connect the power cords to the solenoid valve. Turn the remote switch off.
- 2.) Start the sprayer per the 282711 owner's manual.
- 3.) Open the boom ball valve.
- 4.) Turn on the remote switch, the boom should begin to spray. Follow the 282717 owner's manual for boom spraying instructions. If you do not have the 282717 instructions call customer service for a copy.
- 5.) Turn off the remote switch to stop the spray from the boom.



## ▲ WARNING

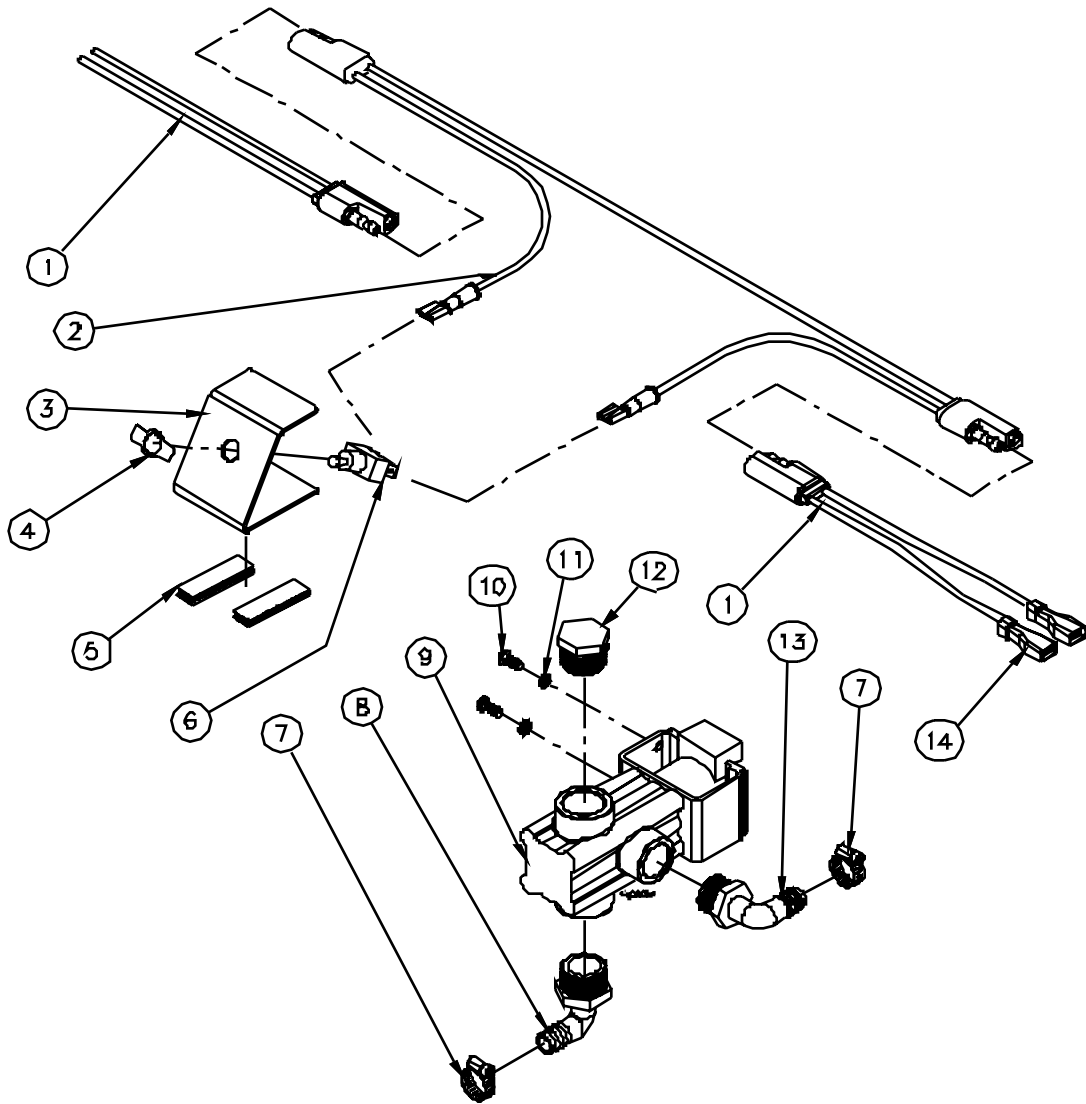
### **Chemicals are dangerous.**

Serious injury or death can result if chemical manufacturers instructions are not followed.

- Pump starts automatically, disconnect the power after each use or before servicing.
- Make sure boom nozzle points straight down prior to starting the sprayer. An incorrectly positioned boom nozzle may spray chemicals towards you (see Installation Instructions).
- Different chemicals may interact dangerously with each other, always flush the sprayer per the chemical manufacturers directions before switching chemicals.
- Calculate the correct amount of chemical to mix, dispose of excess chemical per the manufacturer's instructions.
- When wind speeds exceed 4 MPH, don't spray. Chemicals can drift into undesired locations.
- Never operate this sprayer with broken, missing, or loose parts.
- Never spray flammable liquids.
- Never point the spray gun at people or animals.

Fig 15-4B

# Exploded View - Item # 22851 Rev. A



Item	Part Number	Description	Qty.
1	37693	Battery Power Cord	2
2	37694	Remote Switch Power Cord	1
3	34026	Switch Bracket	1
4	5260	On/Off Plate	1
5	35363	Velcro	2
6	5250	Switch	1
7	2263	Hose Clamp	2
8	5379	Inlet Fitting	1
9	30844	Solenoid Valve	1
10	82059	Screw	2
11	82069	Lock Washer	2
12	5301	Plug	1
13	5282	Outlet Fitting	1
14	5253	Terminal	2

**Any Questions, Comments, Problems or Parts Orders**  
 Call NorthStar Customer Service 1-800-270-0810