



8-LB. SAUSAGE STUFFER OWNER'S MANUAL



WARNING

Read carefully and understand **RULES FOR SAFE OPERATION** and instructions before operating. Failure to follow the safety rules and other basic safety precautions may result in serious personal injury.

Thank you very much for choosing a NORTHERN TOOL + EQUIPMENT CO., INC., Product! For future reference, please complete the owner's record below:

Model: _____ Purchase Date: _____

Save the receipt, warranty and these instructions. It is important that you read the entire manual to become familiar with this product before you begin using it.

This machine is designed for certain applications only. Northern Tool + Equipment strongly recommends that you do not modify or use this machine for any application other than that for which it was designed. If you have any questions relative to a particular application, DO NOT use the machine until you have first contacted Northern Tool + Equipment to determine if it can or should be performed on or with this product.

For technical questions and replacement parts, please call 1-800-222-5381.

NOTE

It is normal that some meat will be pushed backward toward the plunger during use, since the chamber is designed as a "funnel" that gets smaller and pushes the ground meat together as it is forced toward the end.



WARNING

NEVER allow children to use this product!

Always clean the product before and after use every time according to the instructions below.

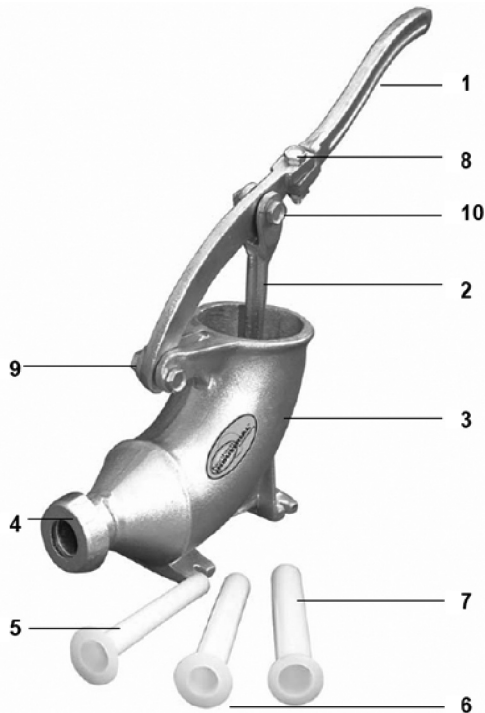
BEFORE ASSEMBLY AND USE

1. Be sure you have reviewed the parts diagram and parts list to confirm you have all the needed parts.
2. After you have confirmed you have all the required parts, thoroughly clean any part that will come in contact with any food product with soap and water. Dry all parts before re-assembly.

AFTER USE

1. Disassemble all parts and wash thoroughly in soapy water.
2. Dry all surfaces.
3. Do not use bleach or chlorine based chemicals to clean. Discoloration of parts can occur.
4. Wipe down all parts with a food grade spray. Alternatively, wipe down with a salad oil to keep from rusting.

DIAGRAM



PART LIST

REF#	DESCRIPTION	QTY.	REF#	DESCRIPTION	QTY.
1	HANDLE	1	6	STUFFING TUBE #2	1
2	PLUNGER	1	7	STUFFING TUBE #3	1
3	CHAMBER	1	8	BOLT & NUT	1
4	END NUT	1	9	BOLT & NUT	1
5	STUFFING TUBE #1	1	10	BOLT & NUT	1

For replacement parts and technical questions, please call **1-800-222-5381**.

WARRANTY

One-year limited warranty.



WARNING

Some dust created by power sanding, sawing, grinding, drilling, and other construction activities contains chemicals known to the State of California to cause cancer, birth defects or other reproductive harm. Some examples of these chemicals are:

- Lead from lead-based paints
- Crystalline silica from bricks and cement and other masonry products, and arsenic and chromium from chemically-treated lumber.

Your risk from these exposures varies, depending on how often you do this type of work. To reduce your exposure to these chemicals: work in a well ventilated area, and work with approved safety equipment, such as those dust masks that are specially designed to filter out microscopic particles.



Distributed by
Northern Tool + Equipment Company, Inc.
Burnsville, Minnesota 55306-6936
Made in China