

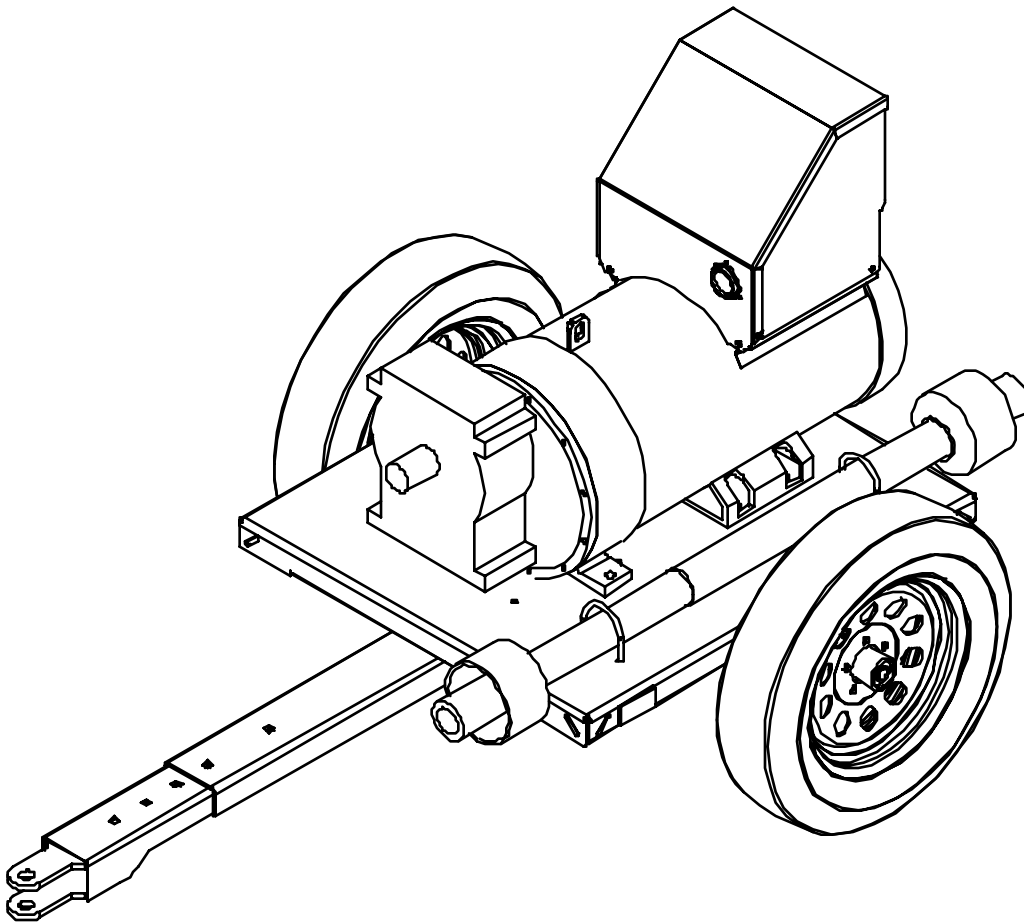


**PTO Generator Trailer  
ITEM # 165959**  
For use on 13000, 27500, and  
60000 PTOG North Star  
Generators or Other PTO  
Generators up to 60kW.

M165959A

PLACE MANUAL NAMEPLATE HERE

## **OWNER'S MANUAL**



00641

**Any Questions, Comments, or Problems?  
Call Customer Service at 1-800-270-0810  
Hours: Monday - Friday 7:30 AM to 5:30 PM  
Saturday 7:30 to 11:30 AM CST**

## **THANK YOU**

Thank you for purchasing a NorthStar PTO Trailer. Your trailer is designed for long life, dependability, and the top performance you demand. Please take time now to read through this manual so you can better understand the machine's operation and safety precautions. Everyone who uses this trailer must read and understand this manual. Enjoy the exceptional performance of your NorthStar PTO Trailer.

## **IMPORTANT**

### **Make certain the operator:**

- Reads and understands the manuals pertaining to this trailer and generator.
- Is instructed in safe and proper operation of this trailer and generator.

## **NOTICE**

K-BAR Industries Incorporated reserves the right to make improvements in design and/or changes in specifications at any time without incurring any obligation to install them on units previously sold.

## **WARNINGS**

**NEVER** load the trailer with more than 1200 lbs.

**NEVER** use this trailer for PTO Generators over 60 kW.

**NEVER** exceed 30 mph with this trailer.

**ALWAYS** replace damaged reflectors.

**ALWAYS** read your owners manual before operating.

**ALWAYS** check for loose fasteners before each use.

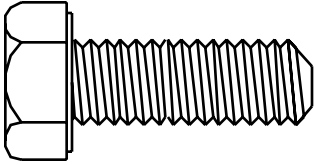
**ALWAYS** engage PTO while tractor is idling.

**ALWAYS** read your PTO Generator manual before operating.

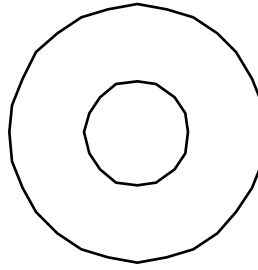
# STEP 1

- Open hardware bag and separate the components.

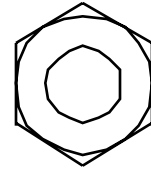
## FASTENERS (actual size)



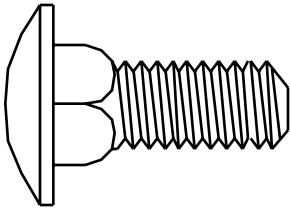
1/2-13 X 1.25" Long  
Hex Head Bolt Qty. 8



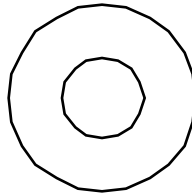
1/2" Flat Washer  
Qty. 18



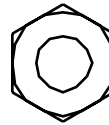
1/2-13 Ny-Loc Nut  
Qty. 10



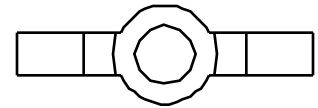
1/2-20 X 1.25" Long  
Carriage Bolt Qty. 2



3/8" Flat Washer  
Qty. 6

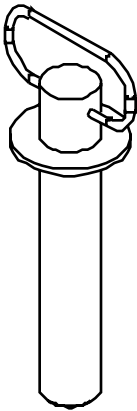


3/8-16 Hex Nut  
Qty. 2



3/8-16 Ny-Loc Wing Nut  
Qty. 6

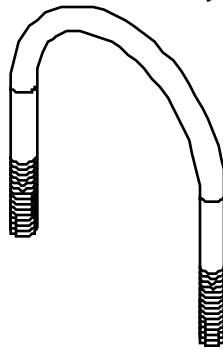
## MISCELLANEOUS COMPONENTS (not actual size)



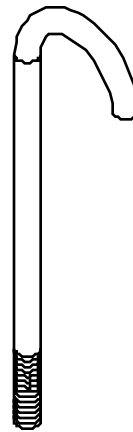
Hitch Pin With Chain  
and Lynch Pin  
Qty. 1



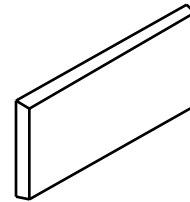
Lug Bolts  
Qty. 10



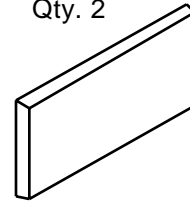
PTO Implement  
Shaft Retainer  
Qty. 2



Cord Hooks  
Qty. 2



Red Reflector  
Qty. 2

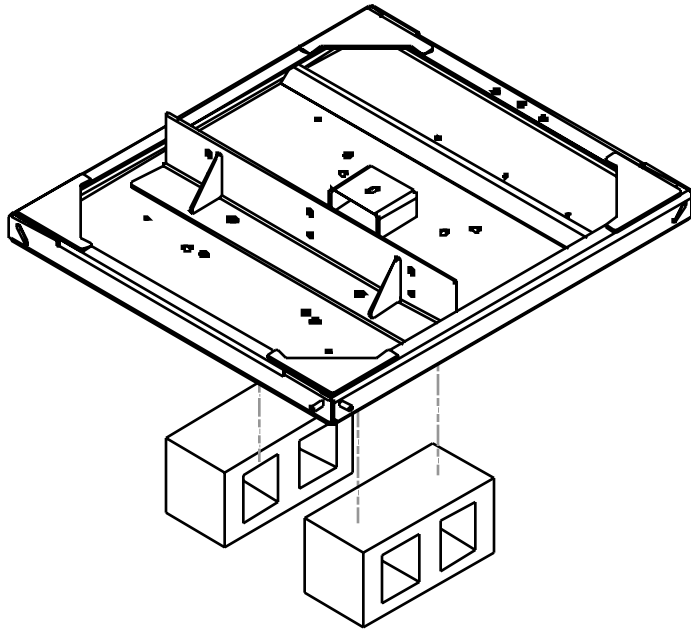


Amber Reflector  
Qty. 2

00672

## STEP 2

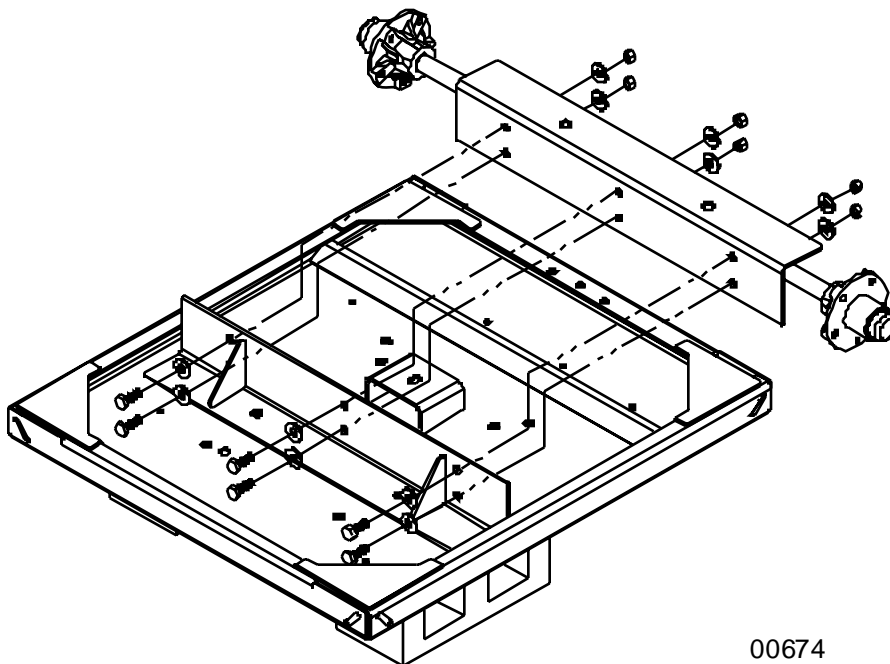
- Remove remaining components from the box. Discard unpainted shipping bracket. Place trailer Base on two supports at least twelve(12) inches high.



00673

## STEP 3

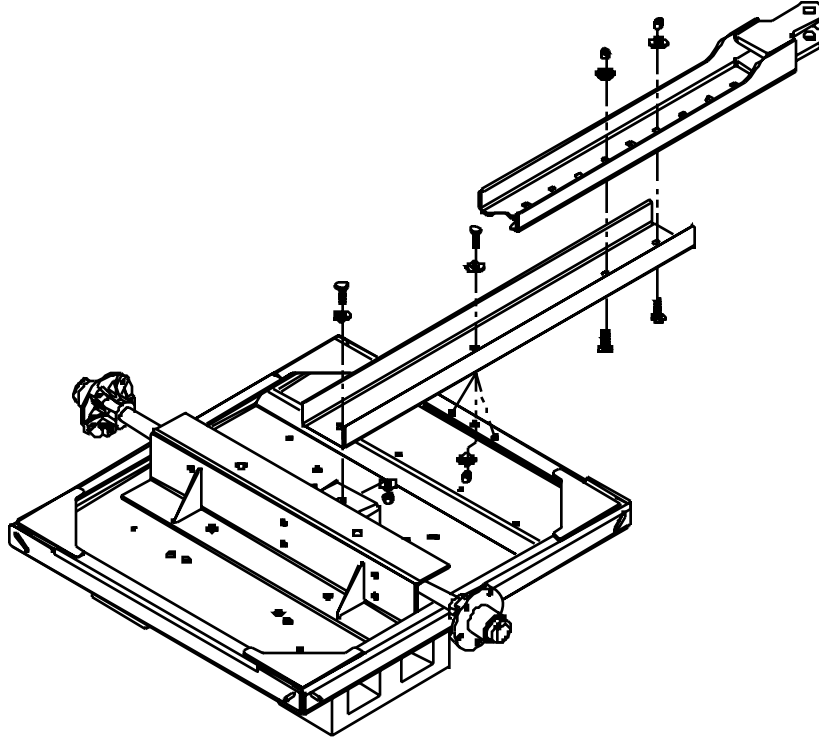
- Bolt the Axle to the Base with (6) 1/2"-13 x 1.25 hex head bolts, (12) 1/2" flat washers, and (6) 1/2-13 Ny-Loc nuts.



00674

## STEP 4

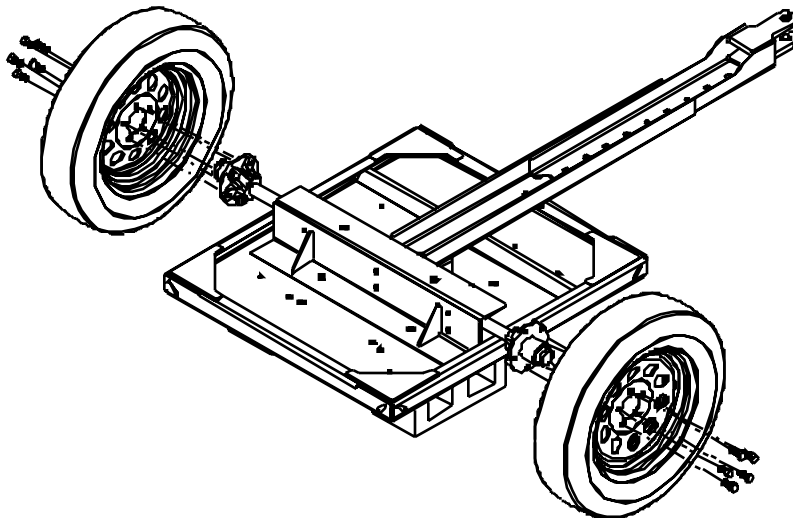
- Assemble Tongue Arm to Base with (2) 1/2-13 X 1.25" hex head bolts, (4) 1/2 Flat Washers, and (2) 1/2-13 Ny-Loc Nuts. Assemble Tongue to Tongue Arm with (2) 1/2-13 X 1.25 Carriage bolts, (2) 1/2 flat washers, and (2) 1/2-13 Ny-Loc nuts. Note: The Tongue Arm and Tongue is adjustable to fit many different PTO Generators and PTO Implement Shafts. You may need to adjust the Tongue to fit your implement shaft. The Tongue Arm pivots and is adjustable to fit different PTO Generators, if you have a NorthStar PTO Generator use the center hole.



00675

## STEP 5

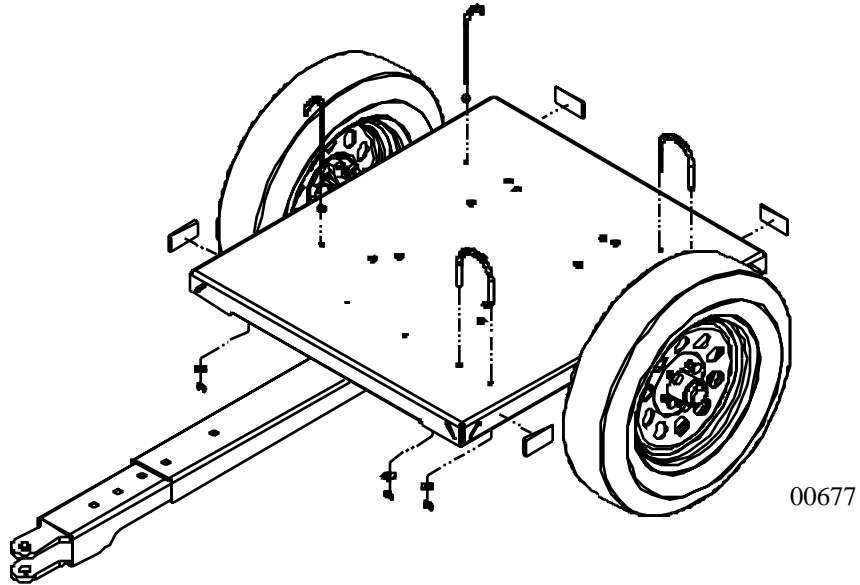
- Assembly wheels to hubs with the 10 lug bolts.



00676

## STEP 6

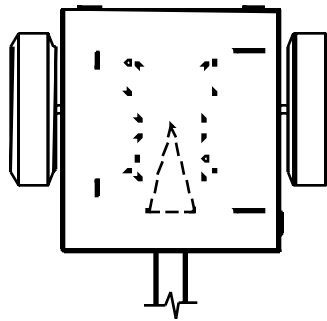
- Apply the (2) red reflectors to the rear of the trailer and (2) amber reflectors to front sides of the trailer as shown. Assemble the (2) cord hooks to the trailer with (2) 3/8-16 hex nuts, (2) 3/8 flat washers, and (2) 3/8-16 Ny-Loc wing nuts. Assemble the (2) PTO Implement shaft retainer to the trailer with (4) 3/8 flat washers, and (4) 3/8-16 Ny-Loc wing nuts. Discard any remaining fasteners.



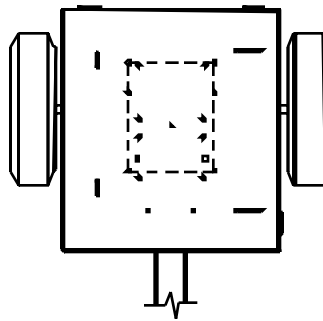
## STEP 7

- Mount NorthStar PTO Generators to trailer using one of the three following bolt patterns. For other PTO Generators you may need to drill mounting holes.

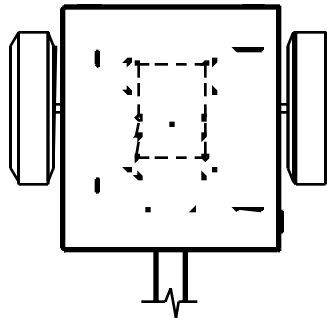
NorthStar Item  
#165929



NorthStar Item  
#165949



NorthStar Item  
#165937A



NorthStar  
Item  
#165937B &  
C

