



# PTOG/BDG Mounting Kit

ITEM # 165935

M165935A.1

## Owner's Manual

### SAFETY

**ALWAYS** have proper guarding of the V-belt(s) and sheaves to prevent access to any pinch points. Always have proper guarding of PTO driveline equipment. Failure to guard the power transmission mechanisms may result in serious injury or death.

**ALWAYS** provide adequate ventilation. Do not operate generator in any enclosed or narrow space. Engines consume oxygen and give off deadly carbon monoxide poisonous gas. Improper ventilation will cause damage to generator and possible injury to people.

**ALWAYS** use the specified fasteners when mounting this kit.

**NEVER** operate the generator, or handle any electrical equipment while standing in water, while barefoot, while hands are wet or while in the rain or snow. Electric shock may result.

### DIMENSIONS

Below is a detail drawing of the mount plate.

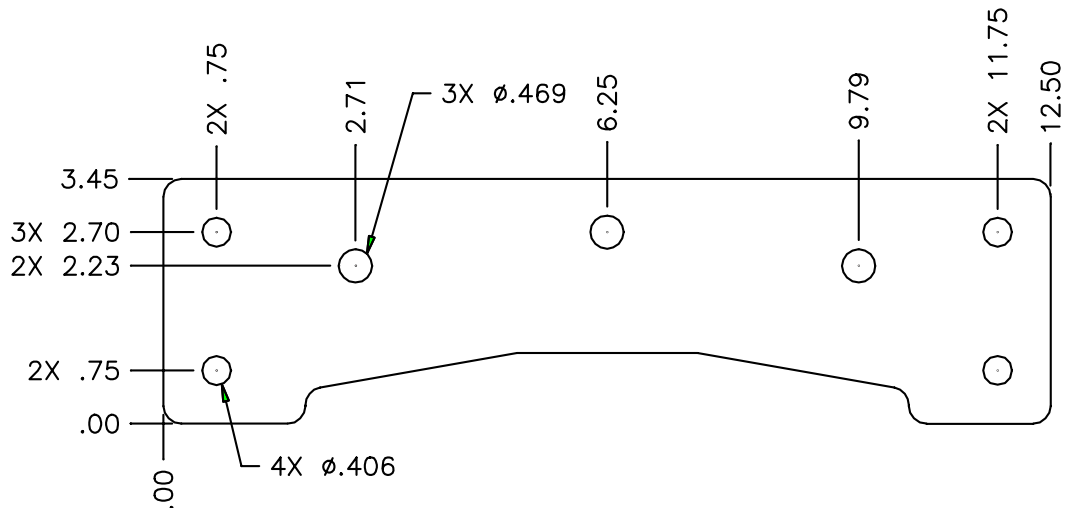
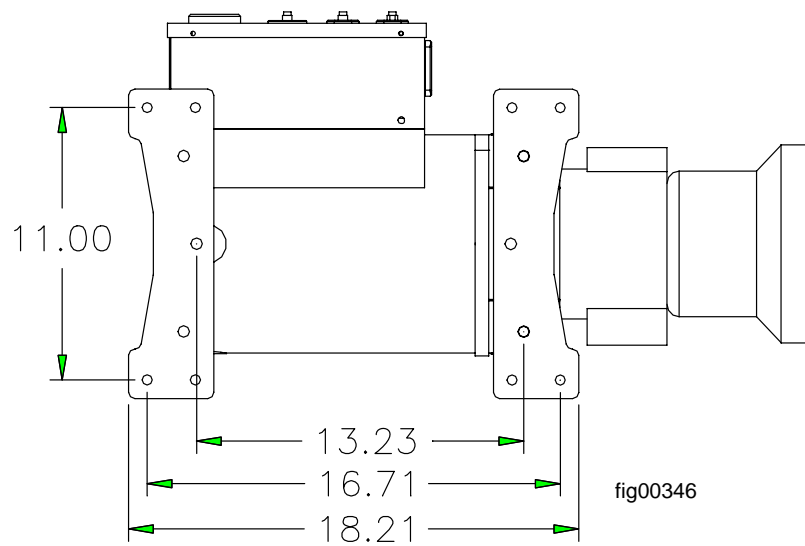
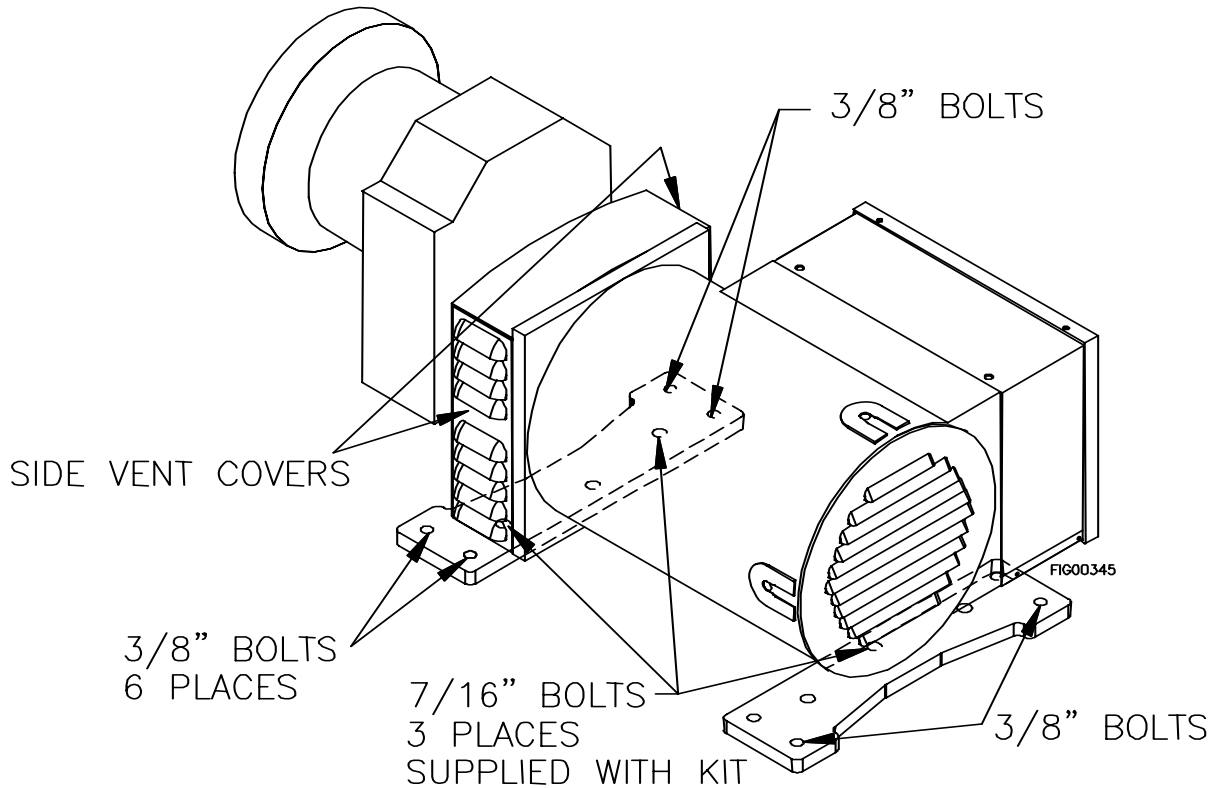


fig00347

## OPERATION

This kit contains 2 mounting plates and a hardware bag. The hardware bag contains (3) 7/16" grade 5 bolts, (3) lock washers and (3) self-locking nuts for attaching the plates to the generator. If the kit will be used to mount the generator to a cement pad, use a minimum of (6) 3/8" grade 5 lag bolts. When mounting to a properly sized trailer, use a minimum of (6) 3/8" grade 5 bolts.

Remove the side vent covers to access the 7/16" bolt holes. Side vent covers are attached with (3) phillips head screws. Reinstall vent covers before operation.



**Any Questions, Comments, or Problems?  
Call NorthStar Product Support at 1-800-270-0810**