



## Cord Reel with LED Worklight

### OWNER'S MANUAL



#### **WARNING:**

Read carefully and understand all INSTRUCTIONS before operating. Failure to follow the safety rules and other basic safety precautions may result in serious personal injury.

**Item #162447**

Thank you very much for choosing a NORTHERN TOOL + EQUIPMENT CO., INC. Product! For future reference, please complete the owner's record below:

Model: \_\_\_\_\_ Purchase Date: \_\_\_\_\_

Save the receipt, warranty and these instructions. It is important that you read the entire manual to become familiar with this product before you begin using it.

This machine is designed for certain applications only. Northern Tool + Equipment cannot be responsible for issues arising from modification. We strongly recommend this machine is not modified and/or used for any application other than that for which it was designed. If you have any questions relative to a particular application, DO NOT use the machine until you have first contacted Northern Tool + Equipment to determine if it can or should be performed on the product.

For technical questions please call **1-800-222-5381**.

## TECHNICAL SPECIFICATIONS

Item No.	Cord Specification				Volt (V)	Accessory
	AWG	Number of Core	Type	Length(FT)		
162447	18	2	SJTW	50	110	110V 60 LEDs L15 lamp

## ELECTRICAL INFORMATION OF ACCESSORY

Cord Apparatus	Specification
110V 60 LEDs L15 lamp	Shatterproof, Waterproof, Oil resistant, with 110V 60 LEDs worklight, on/off switch.

## GENERAL SAFETY RULES

Before using this product, carefully read this manual, especially the General Safety Rules and instructions listed below. Before starting work, make sure that you know how to stop the reel in the event of an emergency. Any other use could damage the product or cause serious injury.

- Make sure the power line is compatible with the voltage rating shown on the worklight.
- Make sure the power supply voltage does not exceed the maximum voltage rating.
- Ensure that the reel is properly installed before connecting it to a power supply.
- The reel must not be used by children or those not qualified to work with it.
- Ensure that all electrical power is removed from reel before servicing.
- Only a qualified electrician can service this cord reel.
- Check and avoid frayed and broken wires before each use.
- When pulling electrical cord from the reel, always grasp the electrical cord itself, not the worklight.
- Turn off power to the reel immediately should any malfunctions occur.
- Never remove, tamper with or modify the safety devices fitted by the manufacturer.
- Do not use the reel in damp or wet conditions. Keep the work area clean.

## **INSTALLATION**

- 1) The cord reel must be installed in premises conforming to current regulations and standards covering electrical systems and work environments.
- 2) Secure the cable reel to the wall and the ceiling. Use screw anchors or suitable screws that fit in the holes in the brackets.
- 3) Adjust the cord stopper to the position that best works for you.

## **OPERATION**

1. Check reel for correct operation by slowly pulling out the hose. A “clicking” noise will be heard every half revolution of the drum.
2. To latch the reel, pull out the cord and allow it to retract after hearing the first second or third “click”.
3. To unlatch, slowly pull out the hose until the “clicking” noise stops, then let the cord retract until the cord stopper rests against the cord guide.

**Note:** To avoid damage to the reel, always hold on to the cord while it is rewinding.

## **MAINTENANCE**

Make sure the cord is in proper working order and that the insulation is not cut or worn as this could represent a hazard and jeopardize operation.

Clean the cord with a cloth dipped in warm water to remove dirt or deposits and ensure correct rewinding.

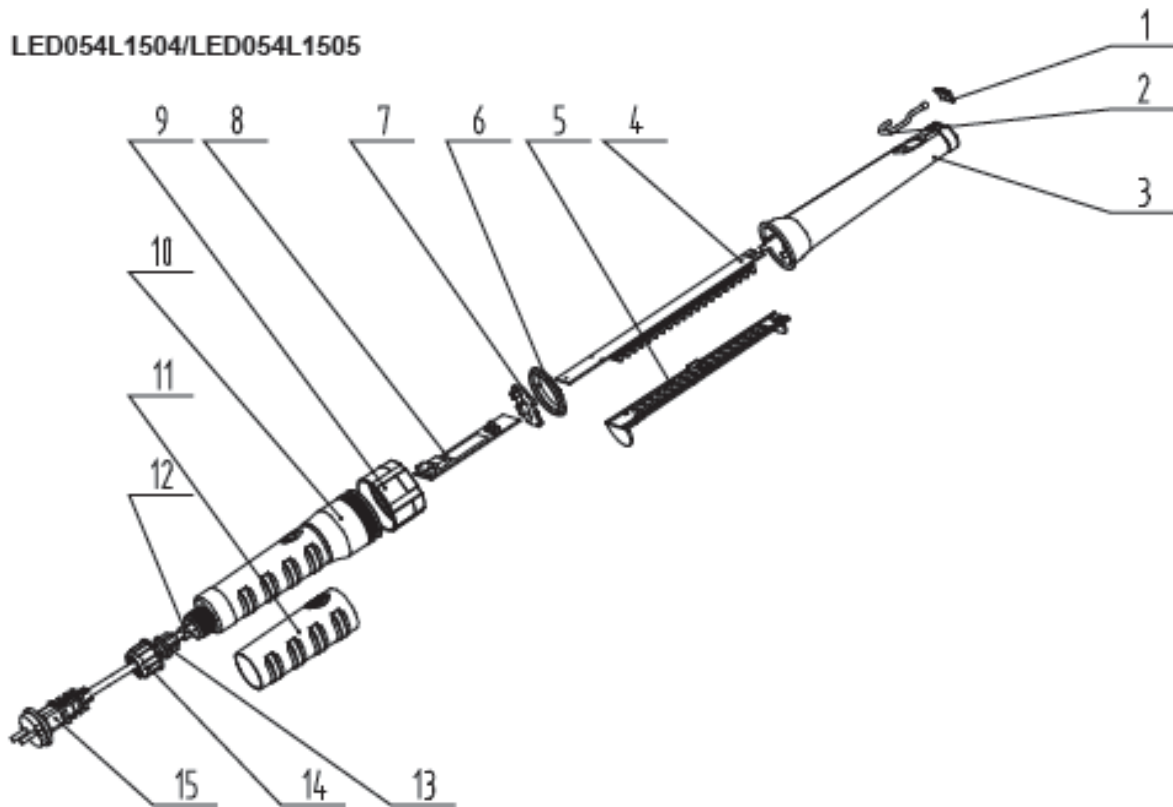
Do not use detergents or solvents which could prove incompatible with cord-winder materials.

If the event of having to perform maintenance on the electrical, mechanical parts or replace the cord, contact an authorized after-sale service center.

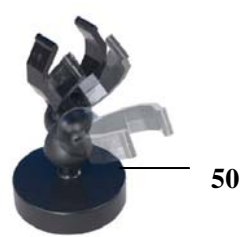
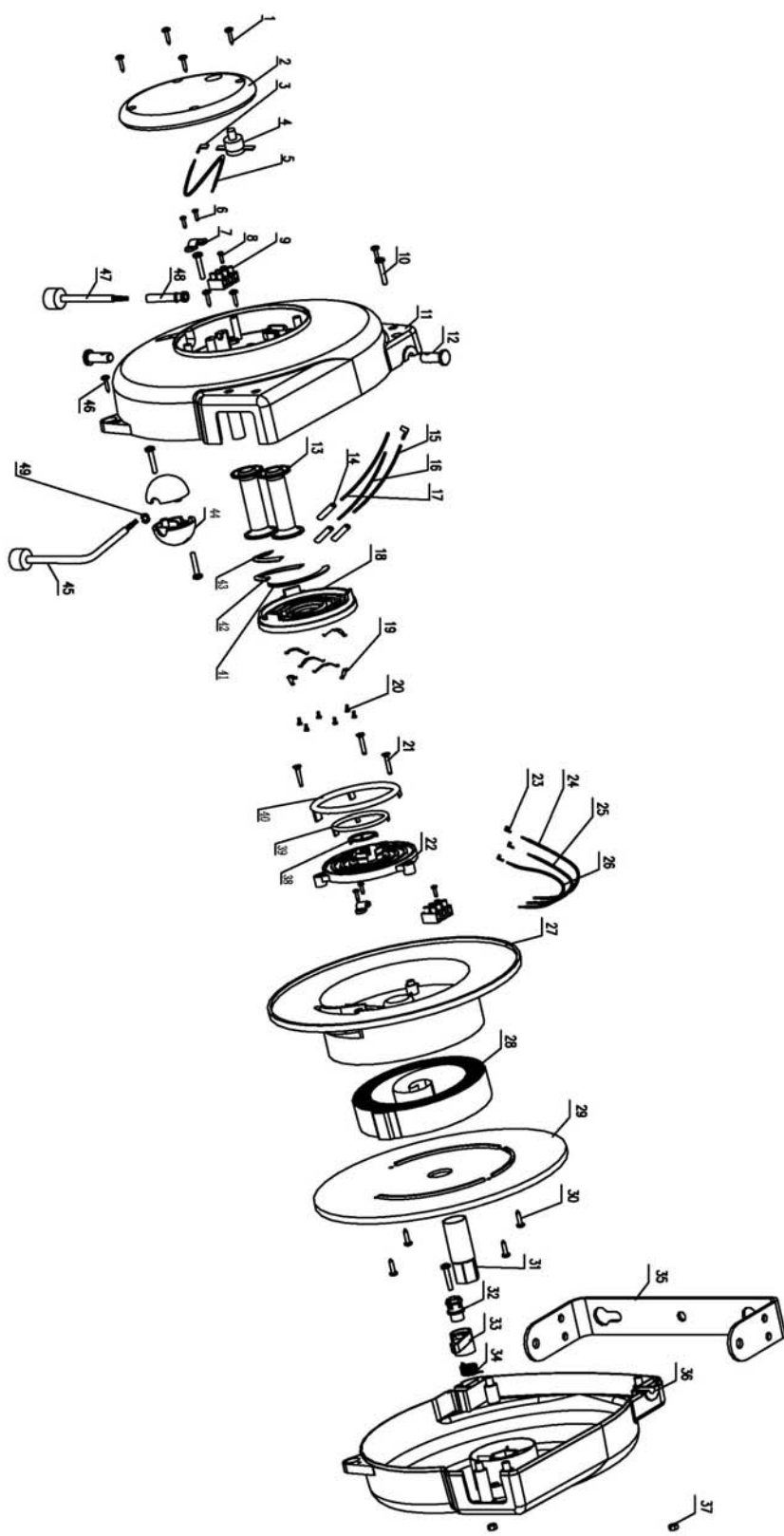
Dismantling of the unit by unqualified personal could prove hazardous; the preloaded springs can cause injury to those not qualified to service this reel.

# DIAGRAM & PARTS LIST

LED054L1504/LED054L1505



Part#	Description	Part#	Description
1	Hook sub-plate	9	Main screw
2	Metal hook	10	Handle
3	Transparent cover	11	Protective handle cover
4	LEDs board	12	O-ring
5	Reflector board	13	Fastener
6	O-ring	14	Cable block cover
7	Retainer	15	Power cord with plug
8	Power board		



Part#	Description	Qty.	Part#	Description	Qty.
1	Screw ST4.2x33.5	8	26	Connect wire(blue)	1
2	Plastic Cover	1	27	Drum	1
3	Termination 6.3	2	28	Spring	1
4	Thermal cut-out	1	29	Drum	1
5	Connect wire(brown)	1	30	Screw ST4.2x19	4
6	Screw ST2.9x9.5	4	31	Axle	1
7	Cable clamp	2	32	Ratchet axle	1
8	Screw ST2.9x14	2	33	Ratchet pawl	1
9	Terminal block	2	34	Spring	1
10	Screw M5x25	2	35	Bracket	1
11	Cover	1	36	Cover	1
12	Pin	2	37	Nut M5	2
13	Roller	2	38	Slip ring	1
14	Shrinkable tube	3	39	Slip ring	1
15	Connect wire(brown)	1	40	Slip ring	1
16	Connect wire(yellow/green)	1	41	Half copper ring	1
17	Connect wire(blue)	1	42	Half copper ring	1
18	Fixed plate	1	43	Half copper ring	1
19	Touch slice	6	44	Stop block	2
20	Copper rivet	6	45	Inlet, flexible cable	1
21	Screw ST4.2x22	3	46	Screw ST4.2x16	1
22	Movable plate	1	47	Outlet, flexible cable	1
23	Termination 4.8	3	48	Protect sheath	1
24	Connect wire(brown)	1	49	Bumper Core	1
25	Connect wire(yellow/green)	1	50	Magnetic holder	1

For replacement parts and technical questions, please call **1-800-222-5381**.



## **WARNING**

Some dust created by power sanding, sawing, grinding, drilling, and other construction activities contains chemicals known to the State of California to cause cancer, birth defects or other reproductive harm.

Some examples of these chemicals are:

- lead from lead-based paints,
- crystalline silica from bricks and cement and other masonry products, and
- arsenic and chromium from chemically-treated lumber.

Your risk from these exposures varies, depending on how often you do this type of work. To reduce your exposure to these chemicals: work in a well ventilated area, and work with approved safety equipment, such as those dust masks that are specially designed to filter out microscopic particles.



Northern Tool + Equipment Co.,  
2800 Southcross Drive West  
P.O. Box 1499 Burnsville, MN 55337-0499  
Made in China.