




CARE AND MAINTENANCE

Little maintenance is required for this creeper. Wipe clean as needed - use mild upholstery cleaner (not caustic) to clean seat.

 **NEVER** add lubricant to casters!

90 DAYS LIMITED WARRANTY

For a period of ninety (90) days from date of purchase, **MVP (H.K.) Industries Ltd.** will repair or replace, without charge, any of its products which fails due to a defect in material or workmanship.

Performance of any obligation under this warranty may be obtained by simply returning the warranted product to your retailer with the original receipt along with an explanation of the defect.

This warranty does not cover damage or failure resulting from misuse, abuse or modification of the product **MVP MAKES NO OTHER WARRANTIES, EITHER EXPRESS OR IMPLIED, INCLUDING WITHOUT LIMITATION THE IMPLIED WARRANTIES OF MERCHANTABILITY AND FITNESS FOR A PARTICULAR PURPOSE. IN ADDITION, THIS WARRANTY DOES NOT COVER INCIDENTAL OR CONSEQUENTIAL DAMAGES SUCH AS PHYSICAL INJURIES OR PROPERTY DAMAGE, LOSS OF TIME, LOSS OF USE OF VEHICLE, ETC.** This warranty gives you specific legal rights, and you may also have other rights which vary from state to state. Some states do not allow limitations on how long an implied warranty lasts, so the above limitation may not apply to you. Some states do not allow the exclusion or limitation of incidental or consequential damages, so the above limitation or exclusion may not apply to you.

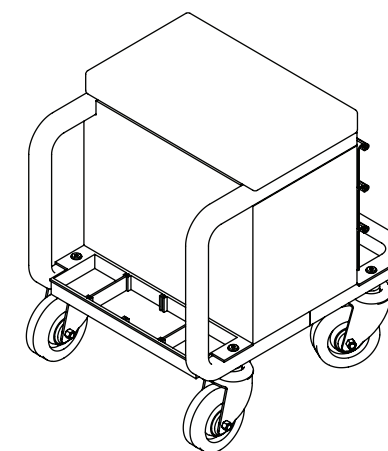
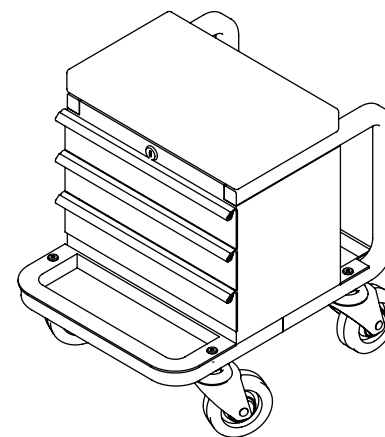
Pro-Lift®


Tool Box Creeper Seat

Operating Instructions & Parts Manual

Model Number
C-2701T

Capacity
300 lbs.



 This is the safety alert symbol. It is used to alert you to potential personal injury hazards. Obey all safety messages that follow this symbol to avoid possible injury or death.

Manufactured by
MVP (H.K.) Industries Ltd.
Unit 1101, Lippo Sun Plaza, 28 Canton Road,
Tsimshatsui, Kowloon, Hong Kong

Printed in China



WARNING

To avoid personal injury and property damage:

- **Read, understand, and follow** all printed materials provided with and on this product before use.
- **Do not** exceed rated capacity of **300 lbs.** Rated capacity consists of: **1 person,** tools, equipment totaling **300 lbs.**
- Use on smooth, level, seamless surfaces only!
- Sit down gently! Avoid shock loads caused by jumping or falling onto seat.
- Do not stand on this product.
- Keep out of the reach of children! This device is not appropriate for children's use.



Do not use this device for any purpose other than that for which it is expressly intended.

SAFETY AND GENERAL INFORMATION

Save these instructions. For your safety, read, understand, and follow the information provided with and on this jack. The owner and operator of this equipment shall have an understanding of this creeper and safe use/operating procedures before attempting to use. The owner and operator shall be aware that use and repair of this product may require special skills and knowledge. Instructions and safety information shall be conveyed in the operator's native language before use of this jack is authorized. If any doubt exists as to the safe and proper use of this creeper, remove from service immediately.

Inspect before each use. Do not use if broken, bent, cracked, or damaged parts (including labels) are noted. Any creeper that appears damaged in any way, operates abnormally or is missing parts, shall be removed from service immediately. If the creeper has been or suspected to have been subjected to a shock load (a load dropped suddenly, unexpectedly upon it), immediately discontinue use until creeper has been checked by a factory authorized service center. It is recommended that an annual inspection be done by qualified personnel. Labels and Owner's Manuals are available from manufacturer (see Replacement Parts, page 5). No other parts are available for this device. Replace as matched set only.

PRODUCT DESCRIPTION

This device is designed to support rated capacity loads consisting of **one person weighing 300 lbs. or less.** It is intended to be used to support and transport, along a **smooth and level surface,** a single person for the purpose of performing automotive maintenance or service. This device is **not** intended, designed or engineered to be used for any other purpose.

SPECIFICATIONS

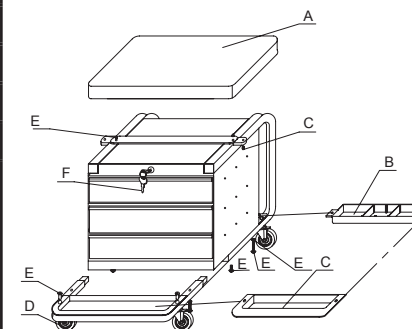
Model	Rated Capacity	Overall Toolbox Dimension Length, Width, Height	Tool Drawer Inner Dimension Length, Width, Height
C-2701T	300 lbs	18-1/2" x 14-3/8" x 17-1/8"	12-3/4" x 7-3/4" x 2-1/4"

PREPARATION

Before beginning assembly of this product, make sure all parts are present. Compare parts with package contents list and diagram above. If any part is missing or damaged, do not attempt to assemble, install or operate the product. Contact customer service for replacement parts.

PACKAGE CONTENTS

Part	Description	Quantity
A	Seat Cushion	1
B	Back Plastic Tray	1
C	Front Plastic Tray	1
D	Swivel Caster	4
E	Hardware Kit, including bolt M6x20, self-tapping screw 4.2x11, bolt M5x10, bolt M5x35, washer 5	2 2 2 4 4
F	Keys	2



ASSEMBLY INSTRUCTIONS

