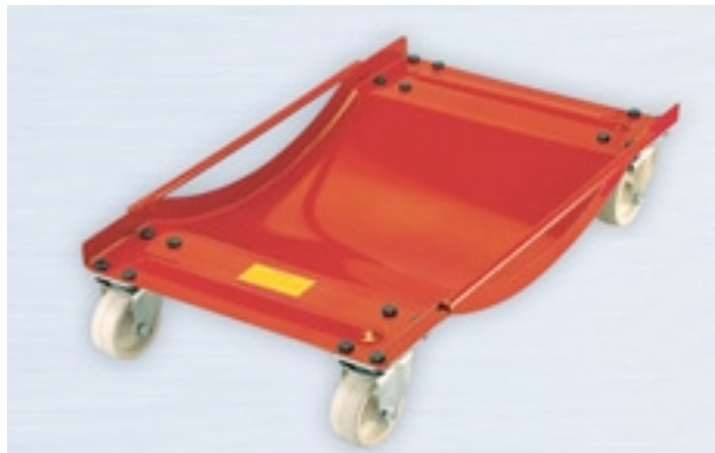





## **2-PC. HEAVY-DUTY VEHICLE DOLLIES**

### **OWNER'S MANUAL**



 **WARNING:** Read carefully and understand all **INSTRUCTIONS** before operating. Failure to follow the safety rules and other basic safety precautions may result in serious personal injury.

**Item #148811**

Thank you very much for choosing a NORTHERN TOOL + EQUIPMENT CO., INC. Product! For future reference, please complete the owner's record below:

Model: \_\_\_\_\_ Purchase Date: \_\_\_\_\_

Save the receipt, warranty and these instructions. It is important that you read the entire manual to become familiar with this product before you begin using it.

This machine is designed for certain applications only. Northern Tool + Equipment cannot be responsible for issues arising from modification. We strongly recommend this machine is not modified and/or used for any application other than that for which it was designed. If you have any questions relative to a particular application, DO NOT use the machine until you have first contacted Northern Tool + Equipment to determine if it can or should be performed on the product.

For technical questions please call **1-800-222-5381**.

## INTENDED USE

Easy-rolling ball bearing casters allow you to maneuver your stored vehicle or snowmobile trailer with ease around your garage or work area.

## TECHNICAL SPECIFICATIONS & PACKING LIST

Item	Description
Capacity	1000 lbs. each
Casters	Four 3" w/steel ball bearings
Overall dimensions	23 3/4in.L x 15 1/4in.W x 4in.H

## GENERAL SAFETY RULES



**WARNING: Read and understand all instructions.** Failure to follow all instructions listed below may result in electric shock, fire and/or serious injury.



**WARNING: The warnings, cautions, and instructions discussed in this instruction manual cannot cover all possible conditions or situations that could occur.** It must be understood by the operator that common sense and caution are factors which cannot be built into this product, but must be supplied by the operator.

## SAVE THESE INSTRUCTIONS

## WORK AREA

- **Keep work area clean**, free of clutter and well lit. Cluttered and dark work areas can cause accidents.
- **Keep children and bystanders** away while using the wheel dollies. Distractions can cause you to lose control, so visitors should remain at a safe distance from the work area.

- **Be aware of all power lines, electrical circuits,** water pipes and other mechanical hazards in your work area, particularly those hazards below the work surface hidden from the operator's view that may be unintentionally contacted and may cause personal harm or property damage.

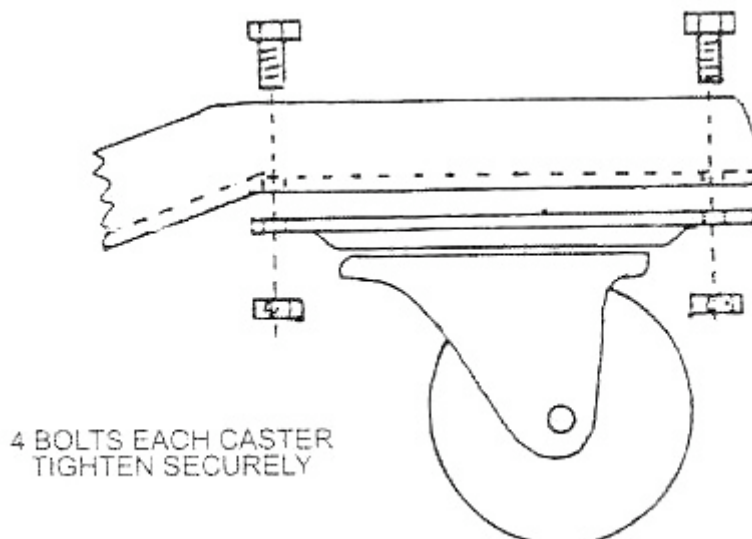
## PERSONAL SAFETY

- **Stay alert,** watch what you are doing and use common sense when using the wheel dollies. Do not use while you are tired or under the influence of drugs, alcohol or medication. A moment of inattention while moving a vehicle with wheel dollies may result in serious personal injury.
- **Dress properly.** Do not wear loose clothing, dangling objects, or jewelry. Keep your hair, clothing and gloves away from moving parts. Loose clothes, jewelry or long hair can be caught in moving parts. Air vents often cover moving parts and should be avoided.
- **Use safety apparel and equipment.** Use safety goggles or safety glasses with side shields which comply with current national standards, or when needed, a face shield. Also use non-skid safety shoes, hardhat, gloves, and hearing protection when appropriate.
- **Do not overreach.** Keep proper footing and balance at all times.

## TOOL USE AND CARE

- **All tools do a better and safer job** when used in the manner for which the wheel dollies are designed. Plan your work, and use the correct tool for the job.
- **Store idle wheel dollies.** When dollies are not in use, store them in a dry, secure place out of the reach of children. Inspect them for good working condition prior to storage and before re-use.
- **Use only accessories that are recommended** by the manufacturer for your model. Accessories that may be suitable for one tool may create a risk of injury when used on another tool.
- **Use exceptional care** if vehicle engine is operational. If drive wheels are mistakenly engaged, the dollies could be ejected from beneath the wheels, possibly causing damage or injury.
- **Do not stand** on wheel dolly. This item is not a toy.
- **Maintain your dollies.** It is recommended that the general condition of any tool be examined before it is used. Keep the dollies in good repair and do not use them if any wear or damage is found.

## CASTER ASSEMBLY



## **OPERATION**

Jack up vehicle one end at a time so tires are 4 3/4" off the floor. Position dollies under tires and center them. Lower vehicle carefully into place. Repeat at other end of vehicle. When moving vehicle, do so slowly and maintain control at all times. Observe load limit of 1000 lbs. each dolly. Do not use on surfaces with slopes, such as a driveway. Lubricate regularly both swivel bearing and axles.

## **WARRANTY**

### **One Year Limited Warranty**



Northern Tool + Equipment Co.  
2800 Southcross Drive West  
P.O. Box 1499 Burnsville, MN 55337-0499  
Made in China