



Forklift Stands

Operating Instructions & Parts Manual

Model	Capacity per pair
BH5070	7 Ton

SFA Companies
10939 N. Pomona Ave. Kansas City, MO 64153
sales@blackhawk-automotive.com

- Before using this product, read this manual and follow all its Safety Rules and Operating Instructions

Made in PRC
BH5070-M0 rev 01/07

SAVE THESE INSTRUCTIONS

For your safety, *read, understand, and follow* the information provided with and on these forklift stands. The owner and operator of this equipment shall have an understanding of these forklift stands and safe operating procedures before attempting to use. The owner and operator shall be aware that use and repair of this product may require special skills and knowledge. Instructions and safety information shall be conveyed in the operator's native language before use of these forklift stands is authorized. If any doubt exists as to the safe and proper use of this forklift stand, remove from service immediately.

Inspect before each use. Do not use if there are broken, bent, cracked or damaged parts (including labels). Any forklift stand that appears damaged in any way, or operates abnormally shall be removed from service immediately. If the forklift stand has been or is suspected to have been subjected to a shock load (a load dropped suddenly, unexpectedly upon it), immediately discontinue use until forklift stand has been inspected by a Blackhawk Automotive authorized service center. It is recommended that an annual inspection be done by qualified personnel. Labels and Operator's Manuals are available from manufacturer.

PRODUCT DESCRIPTION

Blackhawk Automotive Forklift Stands are designed to safely support rated capacity loads, typically forklift, for extended periods. Heavy Duty gauge steel base section and welded construction helps prevent distortion and twisting. Compliance with the latest **ASME / ANSI - PALD** standards ensure safety, strength and stability.

RATED CAPACITY IS PER PAIR ONLY! USE ONLY ONE PAIR PER FORKLIFT.

DO NOT USE FOR ANY PURPOSE OTHER THAN THOSE USES OUTLINED ABOVE !

SPECIFICATIONS

Model	Capacity	Base Size	Min. Height	Max. Height	Weight
BH5070	7 Ton	8 3/4" x 8 3/4"	9 3/8"	14 1/8"	22.6 lb.

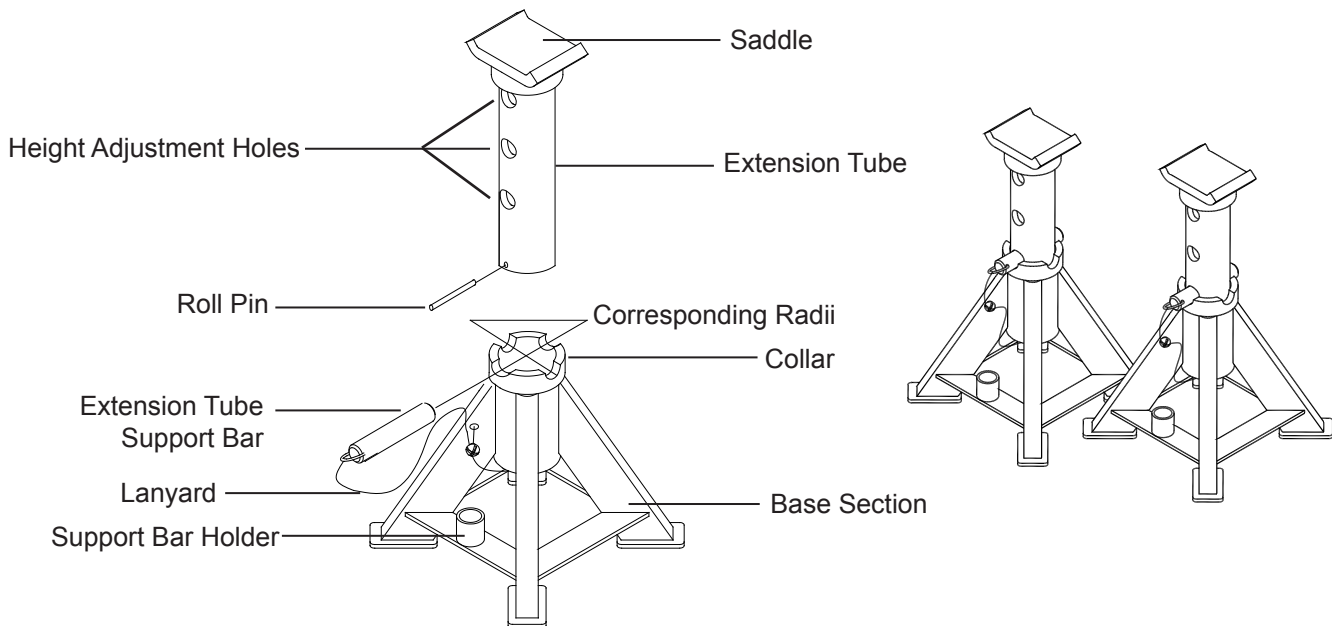


Figure 1 - Model BH5070 Components



WARNING

- Study, understand and follow all instructions provided with and on this device before use.
- **Rated capacity is per pair!** Do not exceed rated capacity.
- Use only on hard, level surface.
- Center load on saddle.
- Use as a matched pair to support one side of a forklift only. One pair per forklift only.
- Forklift stands are not to be used to simultaneously support both sides or one end of a forklift.
- No alterations shall be made to this product.
- Failure to heed these markings may result in personal injury and/or property damage.

BEFORE USE

1. Inspect stands before each use. Do not use if bent, broken or cracked components are noted. Ensure that all parts move freely.
2. Verify that the product and the application are compatible, if in doubt call Blackhawk Automotive Technical Service (816) 891-6390.
3. Before using this product, read the operator's manual completely and familiarize yourself thoroughly with the product and the hazards associated with its improper use.
4. Always check the forklift owners or service manual for location of proper lift and support points.

OPERATION

IMPORTANT! Rated capacity is per pair. Use **ONLY** one pair per forklift. No alterations shall be made to this device. Do not use adapters or accessories on the saddle or base frame.

1. Adjust saddle height by pulling up the extension tube, then insert the tube support bar through the hole on extension tube.
2. Ensure that support bar is secure and nested across 2 corresponding radii (see figure 1) before loading. Insert support bar into the extension tube far enough to create equal distance of bar extending from the extension tube on both sides.
3. Carefully position stands so that load is centered on stand's saddle.
4. Slowly lower the forklift onto the stands.
5. Check to ensure forklift is secure before working on, around or under. When used to support vehicle, use wheel chocks to prevent inadvertent movement.

To lower load

CAUTION! Ensure that all tools, equipment and personnel are clear before lowering load.

1. With suitable jack, raise forklift clear of stands.
2. Carefully release support bar and allow extension tube to glide down to lowest position.
3. Carefully remove stands, then carefully lower forklift with jack.

MAINTENANCE

To help prevent rust, wipe clean and/or blow dry after each use. Do not apply oil or lubricant to ANY portion of this product. Keep support bar in bar holder on base section.

Note: No replacement parts are available for this device. Replace as matched pair only. To replace missing or damaged labels and operator's manuals, contact: SFA Companies 10939 N. Pomona ave, Kansas City, MO 64153 Tel: (816) 891-6390 Fax: (816) 891-6599 E-mail: sales@blackhawk-automotive.com



ONE YEAR LIMITED WARRANTY

For a period of one (1) year from date of purchase, SFA Companies will repair or replace, at its option, without charge, any of its products which fails due to a defect in material or workmanship under normal usage. This limited warranty is a consumer's exclusive remedy.

Performance of any obligation under this warranty may be obtained by returning the warranted product, freight prepaid, to SFA Companies Warranty Service Department, 10939 N. Pomona Ave., Kansas city, MO 64153. Except where such limitations and exclusions are specifically prohibited by applicable law.

(1) THE CONSUMER'S SOLE AND EXCLUSIVE REMEDY SHALL BE THE REPAIR OR REPLACEMENT OF DEFECTIVE PRODUCTS AS DESCRIBED ABOVE.

(2) SFA COMPANIES SHALL NOT BE LIABLE FOR ANY CONSEQUENTIAL OR INCIDENTAL DAMAGE OR LOSS WHATSOEVER.

(3) ANY IMPLIED WARRANTIES, INCLUDING WITHOUT LIMITATION THE IMPLIED WARRANTIES OF MERCHANTABILITY AND FITNESS FOR A PARTICULAR PURPOSE, SHALL BE LIMITED TO ONE YEAR, OTHERWISE THE REPAIR, REPLACEMENT OR REFUND AS PROVIDED UNDER THIS EXPRESS LIMITED WARRANTY IS THE EXCLUSIVE REMEDY OF THE CONSUMER, AND IS PROVIDED IN LIEU OF ALL OTHER WARRANTIES, EXPRESS OR IMPLIED.

(4) ANY MODIFICATION, ALTERATION, ABUSE, UNAUTHORIZED SERVICE OR ORNAMENTAL DESIGN VOIDS THIS WARRANTY AND IS NOT COVERED BY THIS WARRANTY.

Some states do not allow limitations on how long an implied warranty lasts, so the above limitation may not apply to you. Some states do not allow the exclusion or limitation of incidental or consequential damages, so the above limitation or exclusion may not apply to you. This warranty gives you specific legal rights, and you may also have other rights which vary from state to state.

SFA Companies
10939 N. Pomona Ave. Kansas City, MO 64153
816-891-6390
sales@blackhawk-automotive.com