



***Blackhawk
Automotive***TM

Blackhawk Automotive is a Linde Truck Mark

Made by SFA Companies, Kansas City, MO

2 Ton Auxillary Stand

Operating Instructions & Parts Manual

BH5720

SFA Companies ©2004
10939 N. Pomona Ave. Kansas City, MO 64153
816-891-6390
sales@blackhawk-automotive.com

- Before using this product, read this manual and follow all its Safety Rules and Operating Instructions

Made in PRC

TABLE OF CONTENTS

Warranty	P2
Save These Instructions	P3
Product Description	P3
Specifications	P3
Safety Instructions	P4
Assembly	P4
Operation	P4
Maintenance	P4
Replacement Parts	P5



ONE YEAR LIMITED WARRANTY

For a period of one (1) year from date of purchase, SFA Companies will repair or replace, at its option, without charge, any of its products which fails due to a defect in material or workmanship, or which fails to conform to any implied warranty not excluded hereby.

Performance of any obligation under this warranty may be obtained by returning the warranted product, freight prepaid, to SFA Companies Warranty Service Department, 10939 N. Pomona Ave., Kansas City, MO 64153. Except where such limitations and exclusions are specifically prohibited by applicable law:

- (1) THE CONSUMER'S SOLE AND EXCLUSIVE REMEDY SHALL BE THE REPAIR OR REPLACEMENT OF DEFECTIVE PRODUCTS AS DESCRIBED ABOVE.
- (2) SFA COMPANIES SHALL NOT BE LIABLE FOR ANY CONSEQUENTIAL OR INCIDENTAL DAMAGE OR LOSS WHATSOEVER.
- (3) THE DURATION OF ANY AND ALL EXPRESSED AND IMPLIED WARRANTIES, INCLUDING WITHOUT LIMITATION, ANY WARRANTIES OF MERCHANTABILITY AND FITNESS FOR A PARTICULAR PURPOSE, IS LIMITED TO A PERIOD OF ONE (1) YEAR FROM DATE OF PURCHASE.

Some states do not allow limitations on how long an implied warranty lasts, so the above limitation may not apply to you. Some states do not allow the exclusion or limitation of incidental or consequential damages, so the above limitation or exclusion may not apply to you. This warranty gives you specific legal rights, and you may also have other rights which vary from state to state.

SAVE THESE INSTRUCTIONS

For your safety, *read, understand, and follow* the information provided with and on this product. The owner and operator of this equipment shall have an understanding of this product and safe operating procedures before attempting to use. The owner and operator shall be aware that use and repair of this product may require special skills and knowledge. Instructions and safety information shall be conveyed in the operator's native language before use of this product is authorized. If any doubt exists as to the safe and proper use of this product, remove from service immediately.

Inspect before each use. Do not use if there are broken, bent, cracked or damaged parts (including labels). Any product that appears damaged in any way, or operates abnormally shall be removed from service immediately. If the product has been or is suspected to have been subjected to a shock load (a load dropped suddenly, unexpectedly upon it), immediately discontinue use until product has been inspected by a Blackhawk Automotive authorized service center. It is recommended that an annual inspection be done by qualified personnel. Labels and Operator's Manuals are available from manufacturer.

PRODUCT DESCRIPTION

The Blackhawk Auxiliary Stand is designed to help prevent the tipping/rocking of a vehicle while the vehicle is engaged on an automotive lift. Heavy gauge steel construction and compliance with the latest **ASME/ANSI** standards ensure safety, strength and stability.

DO NOT USE FOR ANY OTHER PURPOSE THAN THOSE OUTLINED ABOVE
DO NOT USE FOR ANY OTHER PURPOSE THAN THOSE OUTLINED ABOVE

SPECIFICATION

Model	Capacity	Base Size (L x W x H)	Min.Height	Max.Height
BH5720	2 Ton	24" x 24" x 24"	67"	76"

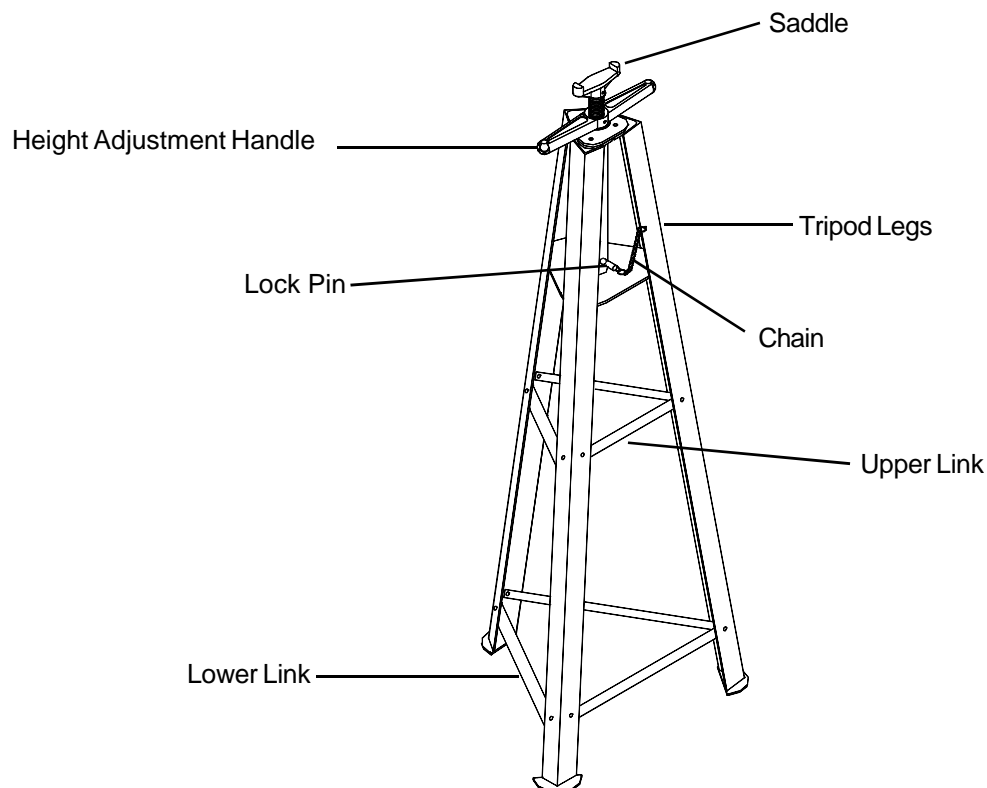


Figure 1- BH5720 Components

SAFETY INSTRUCTIONS

BEFORE USE

1. Verify that the product and the application are compatible, if in doubt call Blackhawk Automotive Technical Service at (816) 891-6390.
2. Read the operator's manual completely and familiarize yourself thoroughly with the product, its components, and the potential hazards associated with its improper use **before** using this product.
3. Inspect before each use. Do not use if there are bent, broken or cracked components. Replace worn or damaged parts and assemblies with Blackhawk Authorized Replacement Parts only.

WARNING

- Study, understand and follow all printed materials provided with and on this device before use.
- Do not exceed rated capacity.
- Use only on hard level surface.
- Do not use the stand to support a vehicle.
- Center load on saddle.
- Use stands in pairs to stabilize the vehicle before starting repairs.
- Do not modify or alter this product.
- Do not use this device for any purpose other than that for which it is intended.
- Failure to heed these markings may result in personal injury and/or property damage.

ASSEMBLY (See Figure 2, Page 5)

1. Attach lower tube support plate and upper tube support plate to tripod legs using bolts and nuts provided. Finger tighten only. Make sure both plates are placed above the screw hole.
2. Attach lower and upper link using bolts and nuts provided. Do not use any tools to tighten.
3. Insert threaded column into column tube.
4. Insert bearing and height adjustment handle into threaded column.
5. Attach saddle on top of the threaded column and use a hammer to punch the pin into the threaded column.
6. Insert the assembly of steps 4 and 5 through the support plates.
7. Insert the lock pin into the bottom of the tube.
8. Tighten securely all the bolts and nuts.

OPERATION

Note: This product should never be used to lift or lower a vehicle.

To Raise

Turn height adjustment handle clockwise until saddle contacts load. Adjust to desired position.

To Lower

Turn height adjustment handle counterclockwise.

MAINTENANCE

Periodically inspect each stand. Ensure all parts move freely. Apply grease to fitting as needed. If rust appears, sand affected area and cover with suitable utility paint.

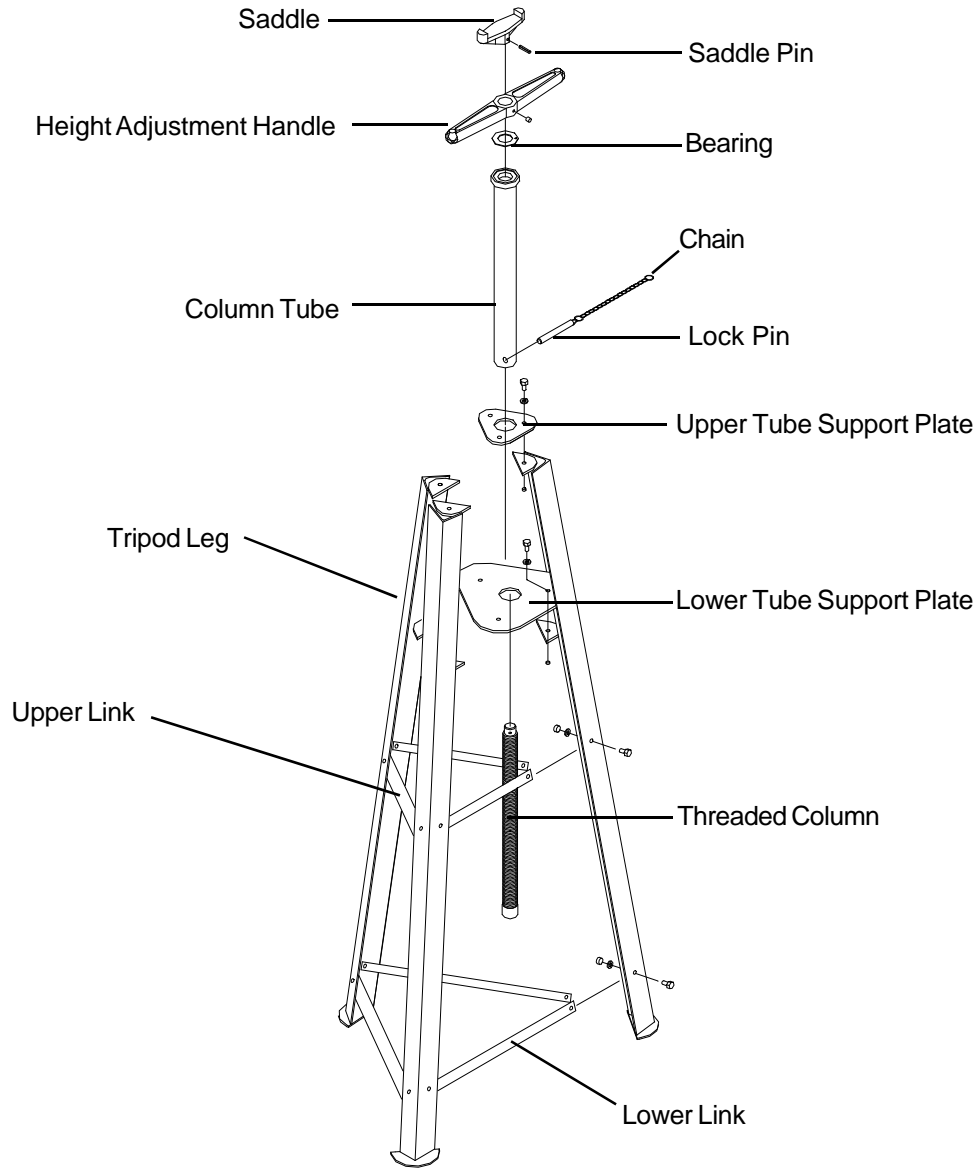


Figure 2 - BH5720 Components

REPLACEMENT PARTS

Not all components of the stand are replacement items, but are illustrated as a convenient reference of location and position in the assembly sequence. When ordering parts, give Model number, parts number and description on page 6. Call or write for current pricing: SFA Companies 10939 N. Pomona Ave. Kansas City, MO 64153
 Phone:(816) 891-6390 Fax: (816) 891-6599 E-mail: sales@blackhawk-automotive.com

Model BH5720

Item #	Part #	Description	Qty.
1	T45-6-0000-006	Saddle	1
2	GB8-7-986X-XXX	Rod Pin	1
3	T45-5-A000-0002	Height Adjustment Handle	1
4	T45-7-0400-000	Chain	1
5	T45-7-0500-000	Pin	1
6	T45-7-0000-003	Support Plate (Upper)	1
7	T45-7-0600-100	Support Plate (Lower)	1
8	T45-7-0600-000	Support Rib (I)	3
9	T45-7-0300-000	Screw Assembly	1
10	T45-7-0000-001	Support Rib (II)	3
-	T45-7-0700-000	Hardware Kits	1
-		Label(s) (not shown)	1
-		Manual (not shown)	1

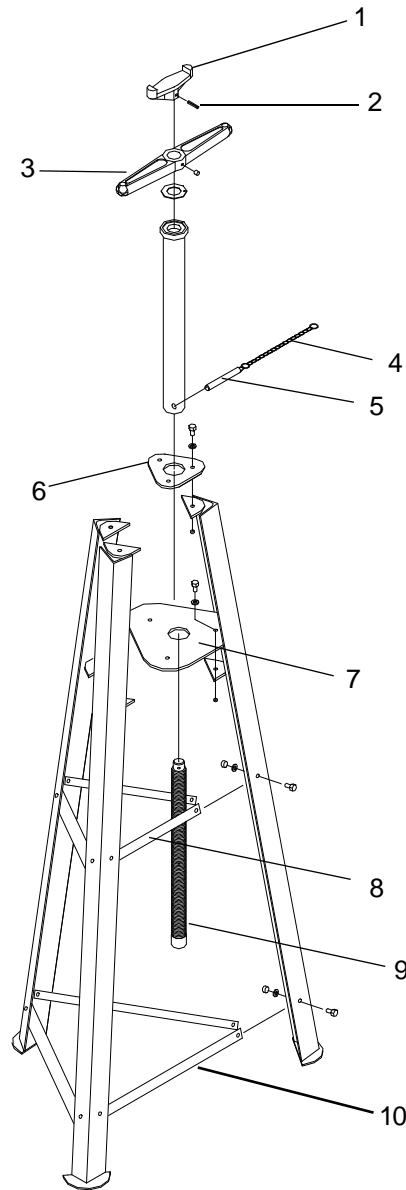


Figure 3: Replacement Parts Illustration for BH5720

