



Manual Tensioner

OWNER'S MANUAL



WARNING:

Read carefully and understand all **INSTRUCTIONS** before operating. Failure to follow the safety rules and other basic safety precautions may result in serious personal injury.

Item #143471

Thank you very much for choosing a NORTHERN TOOL + EQUIPMENT CO., INC. Product!
For future reference, please complete the owner's record below:

Model: _____ Purchase Date: _____

Save the receipt, warranty and these instructions. It is important that you read the entire manual to become familiar with this product before you begin using it.

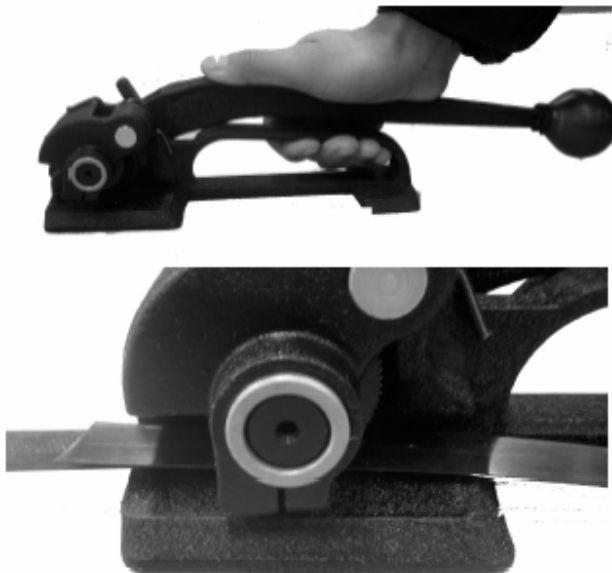
This machine is designed for certain applications only. Northern Tool + Equipment cannot be responsible for issues arising from modification. We strongly recommend this machine is not modified and/or used for any application other than that for which it was designed. If you have any questions relative to a particular application, DO NOT use the machine until you have first contacted Northern Tool + Equipment to determine if it can or should be performed on the product.

For technical questions please call **1-800-222-5381**.

For use with steel strapping

- **Width: 1/2 inch**
- **Thickness: 28~24 gauge**

OPERATION



Step 1: Press down the handle.

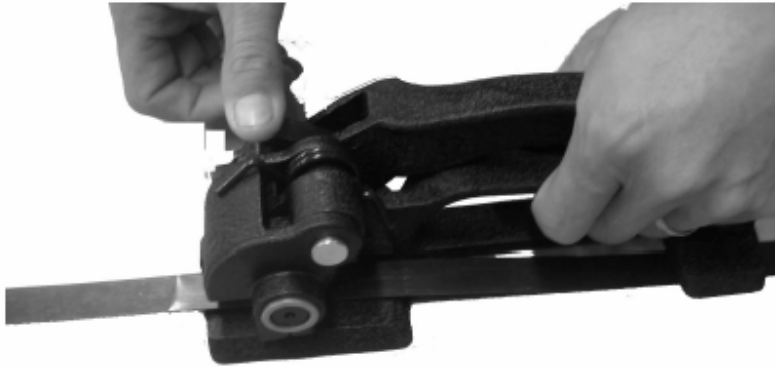
Step 2: Put the strap inside the tensioner.

NOTE: The direction of the upper strapping must be the same as the tensioner.

2. Move the handle to tension the strapping.



3. Press down the handle and handle pawl as shown to release the strapping.

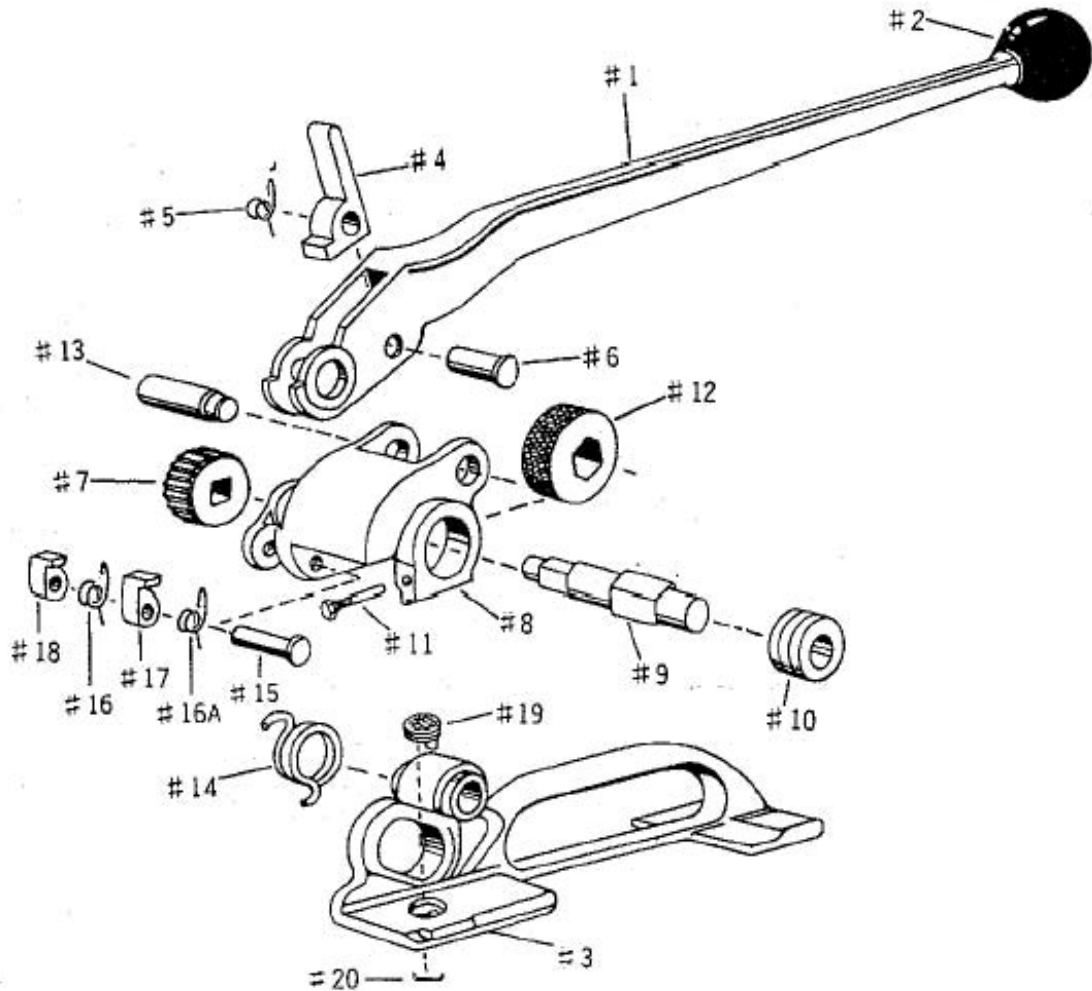


MAINTENANCE

This tool has been thoroughly inspected and tested before shipment. It is designed for durability and long service.

Simple maintenance will prolong the serviceability of your tool. Clean this tool periodically with a wire brush. Apply light machine oil to all moving parts.

DIAGRAM & PARTS LIST



Part#	Description	Qty.	Part#	Description	Qty.
1	Handle	1	11	Cap Screw 3/16"	1
2	Knob	1	12	Feedwheel	1
3	Base	1	13	Support Pin	1
4	Handle Pawl	1	14	Feedwheel Support Spring	1
5	Handle Pawl Spring	1	15	Retaining Pawl Pin	1
6	Crosshead Pin	1	16	Pawl Spring	2
7	Hatchet Gear	1	17	Long Pawl	1
8	Support Frame	1	18	Short Pawl	1
9	Shaft	1	19	Clutch Plug	1
10	Bushing	1	20	Clutch Plug Pin	1



WARNING

Some dust created by power sanding, sawing, grinding, drilling, and other construction activities contains chemicals known to the State of California to cause cancer, birth defects or other reproductive harm. Some examples of these chemicals are:

- lead from lead-based paints,
- crystalline silica from bricks and cement and other masonry products, and
- arsenic and chromium from chemically-treated lumber.

Your risk from these exposures varies, depending on how often you do this type of work. To reduce your exposure to these chemicals: work in a well ventilated area, and work with approved safety equipment, such as those dust masks that are specially designed to filter out microscopic particles.



Northern Tool + Equipment Co.,
2800 Southcross Drive West
P.O. Box 1499 Burnsville, MN 55337-0499
Made in China.