



## Manual Tensioner & Cutter

### OWNER'S MANUAL



#### **WARNING:**

Read carefully and understand all **INSTRUCTIONS** before operating. Failure to follow the safety rules and other basic safety precautions may result in serious personal injury.

**Item #143461**

Thank you very much for choosing a NORTHERN TOOL + EQUIPMENT CO., INC. Product!  
For future reference, please complete the owner's record below:

Model: \_\_\_\_\_ Purchase Date: \_\_\_\_\_

Save the receipt, warranty and these instructions. It is important that you read the entire manual to become familiar with this product before you begin using it.

This machine is designed for certain applications only. Northern Tool + Equipment cannot be responsible for issues arising from modification. We strongly recommend this machine is not modified and/or used for any application other than that for which it was designed. If you have any questions relative to a particular application, DO NOT use the machine until you have first contacted Northern Tool + Equipment to determine if it can or should be performed on the product.

For technical questions please call **1-800-222-5381**.

**For use with poly strapping**

- **Width: 1/2 inch**

**OPERATION INSTRUCTION**

1. Press down the handle. Place one end of the strapping into the unit from right to left (see directional arrow below).



2. Place the other end of the strapping into the unit from left to right.



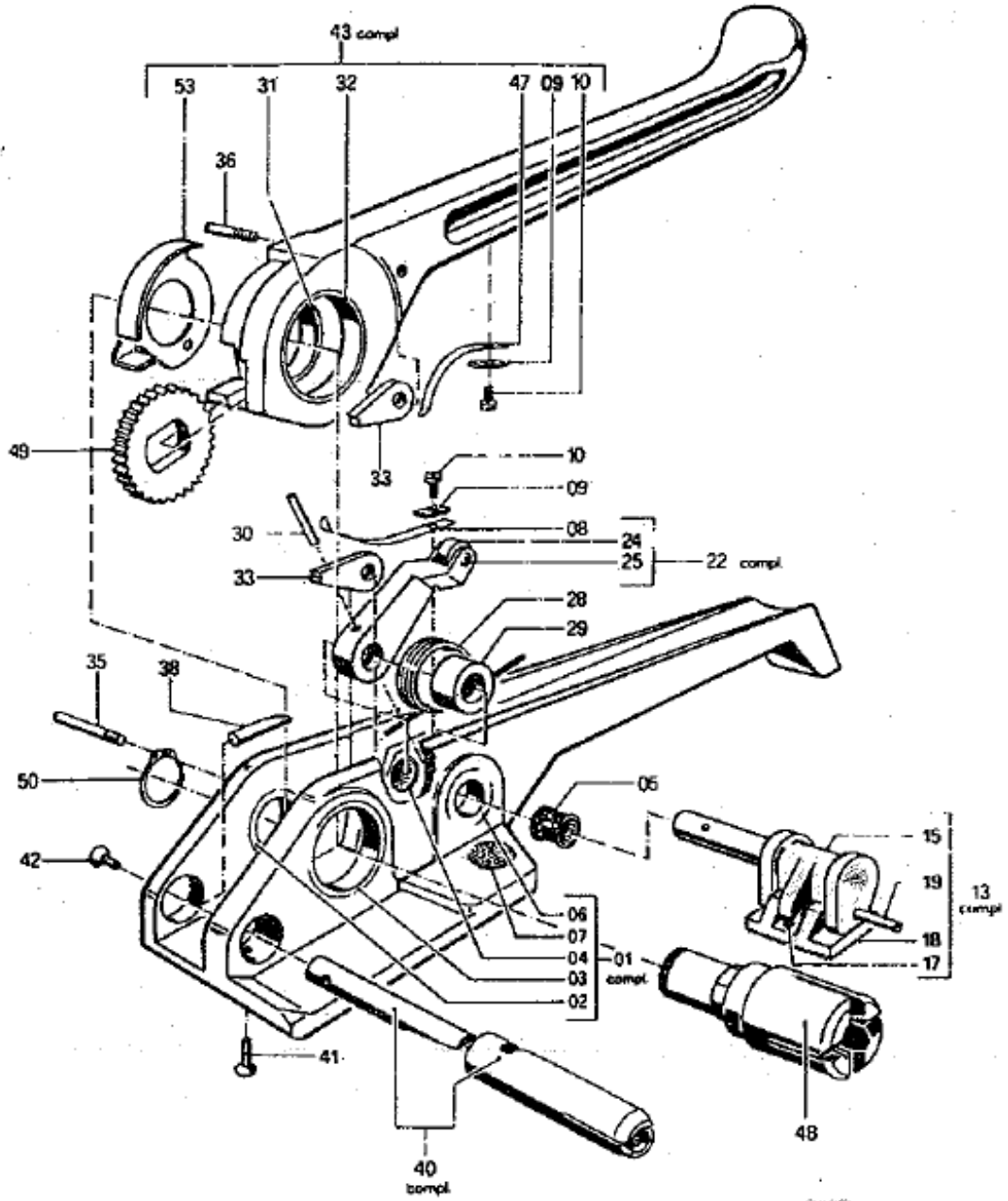
3. Move the handle to tension the strapping.



4. Press down the handle to cut off the strapping.



# DIAGRAM & PARTS LIST



<b>Part#</b>	<b>Description</b>	<b>Qty.</b>	<b>Part#</b>	<b>Description</b>	<b>Qty.</b>
1	Housing assembly	1	28	Clamp spring	1
2	Bushing r.h.	1	29	Spacer	1
3	Bushing l.h.	1	30	Spiral pin	1
4	Needle bearing, r.h.	1	31	Bushing r.h.	1
5	Needle bearing, l.h.	1	32	Bushing l.h.	1
6	Bushing l.h.	1	33	Ratchet pawl	2
7	Gripper stud (only ORS 1100.19PP)	1	35	Ratchet pin (housing)	1
8	Ratched spring (housing)	1	36	Ratchet pin (lever)	1
9	Washer plate	2	38	Cutter actuating pin	1
10	Cylinder head screw	2	40	Cutter assembly	1
13	Clamp assembly (Ref. No.15-19)	1	41	Counter sunk screw	1
15	Clamp arm	1	42	Counter sunk screw	1
17	Clamp plate spring	1	43	Lever assembly	1
18	Clamp plate	1	47	Ratchet spring (handle)	1
19	Shank screw	1	48	Windlass	1
22	Release lever assembly(Ref. Incl. 24+25)	1	49	Ratchet gear	1
24	Roller	1	50	Circlip	1
25	Rivet	1	53	Cutter actuator, notice 2	1



## **WARNING**

Some dust created by power sanding, sawing, grinding, drilling, and other construction activities contains chemicals known to the State of California to cause cancer, birth defects or other reproductive harm. Some examples of these chemicals are:

- lead from lead-based paints,
- crystalline silica from bricks and cement and other masonry products, and
- arsenic and chromium from chemically-treated lumber.

Your risk from these exposures varies, depending on how often you do this type of work. To reduce your exposure to these chemicals: work in a well ventilated area, and work with approved safety equipment, such as those dust masks that are specially designed to filter out microscopic particles.



Northern Tool + Equipment Co.,  
2800 Southcross Drive West  
P.O. Box 1499 Burnsville, MN 55337-0499  
Made in China.