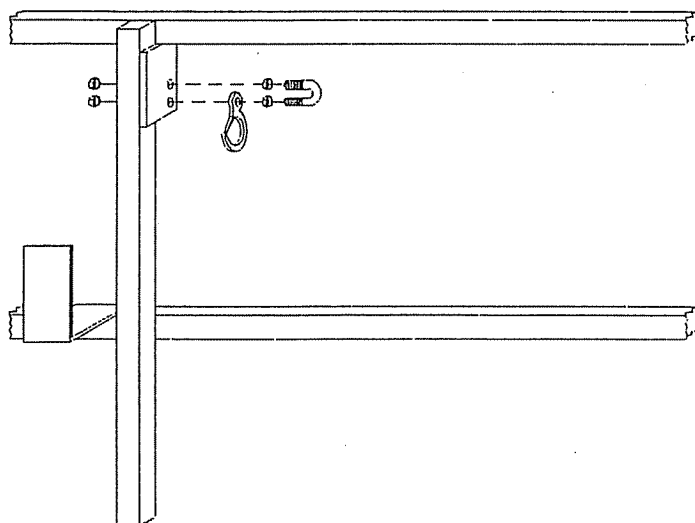


# TRAILER RAMP KIT

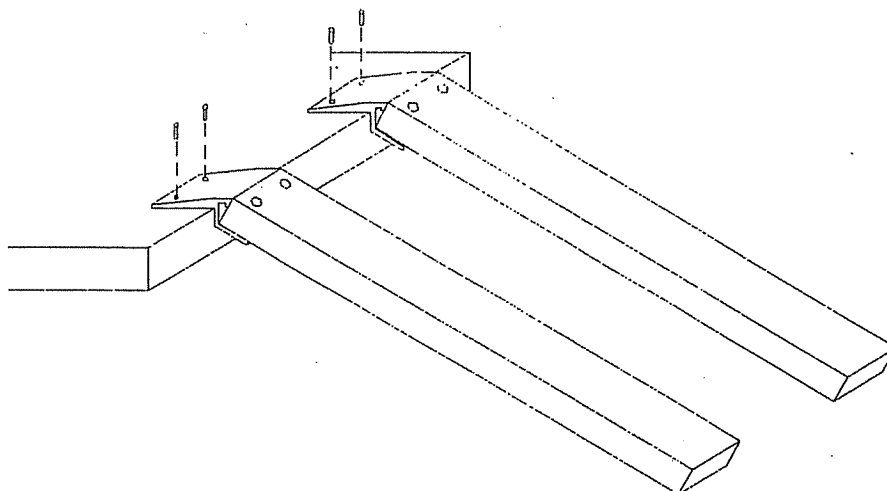
Item # 125899

## Instructions:

1. Place two 1/4" nuts on to all four U-bolts and thread all the way on until the thread runs out.
2. Slide one eye hook on to the U-bolt with the opening of the hook facing out.
3. Insert the U-bolts into the holes in the brackets on the side rails of the rail kit with the eye hooks on the insides of the vertical supports ( see below ). Secure with two 1/4" nuts on each U-bolt.



4. Put ramps in place as shown below. Position the ramps at the desired width and drill holes into the trailer bed to match the pin holes in the aluminum part of the ramp. Secure the ramps in place, while in use, by inserting the provided pins through the holes in the ramp and the holes drilled in the trailer bed (see below).



5. To secure ramps on side rails: with aluminum ramp ends near the front of the trailer, loop rope rings ( on the wood ramps ) on to the eye hooks ( on the side rails of the rail kit ).