



ITEM# 109086
GREASE CONTROL VALVE
MANUAL



Made in China

For technical questions and replacement parts, please call 1-800-556-7885. Thank you very much for choosing a Northern Industrial Product! For future reference, please complete the owner's record below:

Model: _____ **Purchase Date:** _____

Save the receipt, warranty and these instructions. It is important that you read the entire instruction sheet to become familiar with this product before you begin using it. This machine is designed for certain applications only. It is strongly recommended that this machine is not modified and/or used for any application other than that for which it was designed. If you have any questions relative to a particular application, DO NOT use the machine until you have first contacted your dealer to determine if it can or should be performed on the product. Before using this product, please read the following instructions carefully.

Important

Read the safety warnings and instructions in this manual carefully, before installation and start-up of the control handle. It is the responsibility of the purchaser to retain this manual for future reference. Failure to comply with the recommendations stated in this manual may damage the control handle and void factory warranty. Wear ear and eye protection to guard against airborne particles and noise hazards. Before doing any maintenance on the control handle, be certain all pressure is completely vented from the pump, suction, discharge, piping, and all other openings and connections. Be certain the air supply is locked out or made non-operational, so that it cannot be started while work is being done on the control handle. Be certain that approved eye protection and protective clothing are worn at all times in the vicinity of the control handle. Failure to follow these recommendations may result in serious injury or death.

CAUTION

Maximum fluid pressure 8700 PSI. Under no circumstances should the control handle be aimed at any person. Personal injury may occur.

PRODUCT DESCRIPTION

The control handles are used for dispensing automotive lubricants.

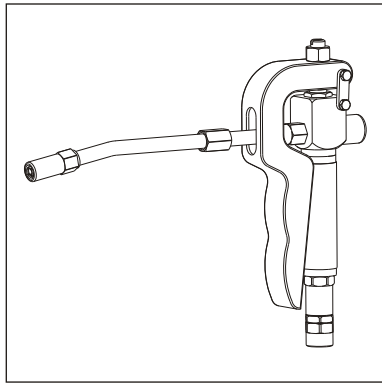
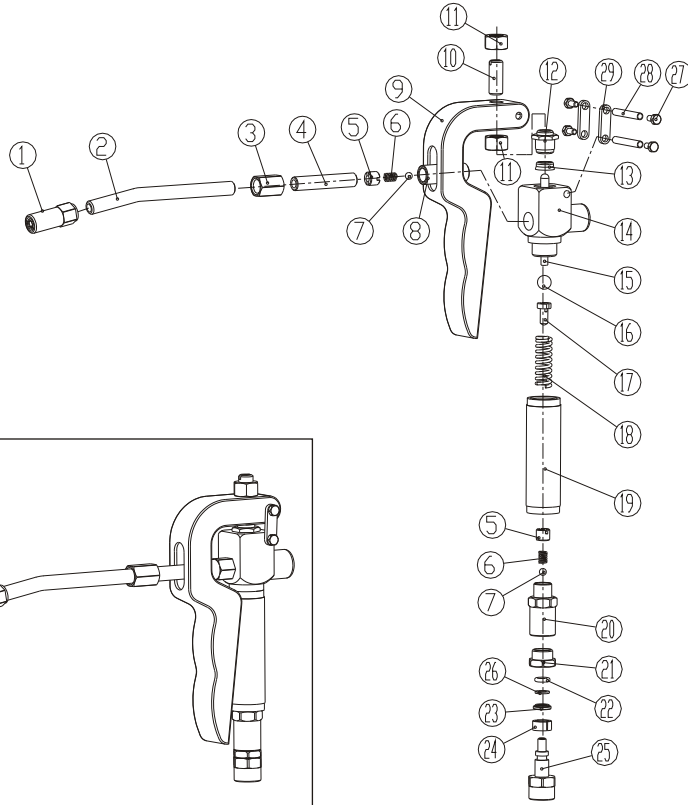
OPERATION

1. Connect the control handle to the lubricant supply line (1/4" BSP or 1/4" NPT male thread required).
2. Open the manual tip.
3. Squeeze control handle trigger. When the required amount of product has been dispensed, release the trigger to stop delivery. Close the manual tip.

TROUBLE SHOOTING

1. If lubricant leaks around inlet and threads, apply thread sealant to tighten threads.

Grease Control Valve Exploded View and Part List



Appendix

No.	Description	Quantity
1	4-jaw grease fitting	1
2	Rigid delivrvry pipe	1
3	Hexad tie-in	1
4	Take-over tube	1
5	Adjust bolt	2
6	Spring	2
7	Steel ball	2
8	Unilateralism vave	1
9	Wrench	1
10	Adjust bolt	1
11	Nut	2
12	Guide	1
13	Gasket	1
14	Gun seat	1
15	Rod	1

No.	Description	Quantity
16	Steel ball	1
17	Set	1
18	Spring	1
19	Handle	1
20	Valve seat	1
21	Nut	1
22	O-ring	1
23	Block ring	1
24	Axis tile	1
25	Axes	1
26	Liner ring	1
27	Hexad bolt	2
28	Join pipe	1
29	Join piece	1