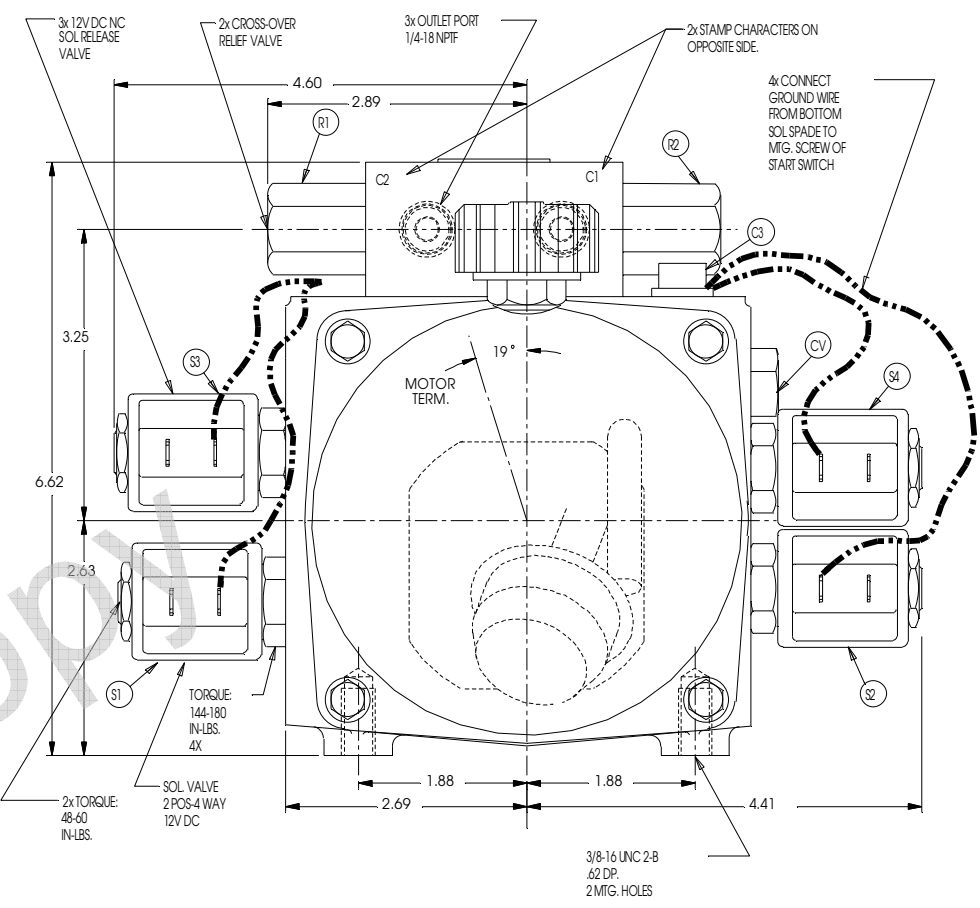
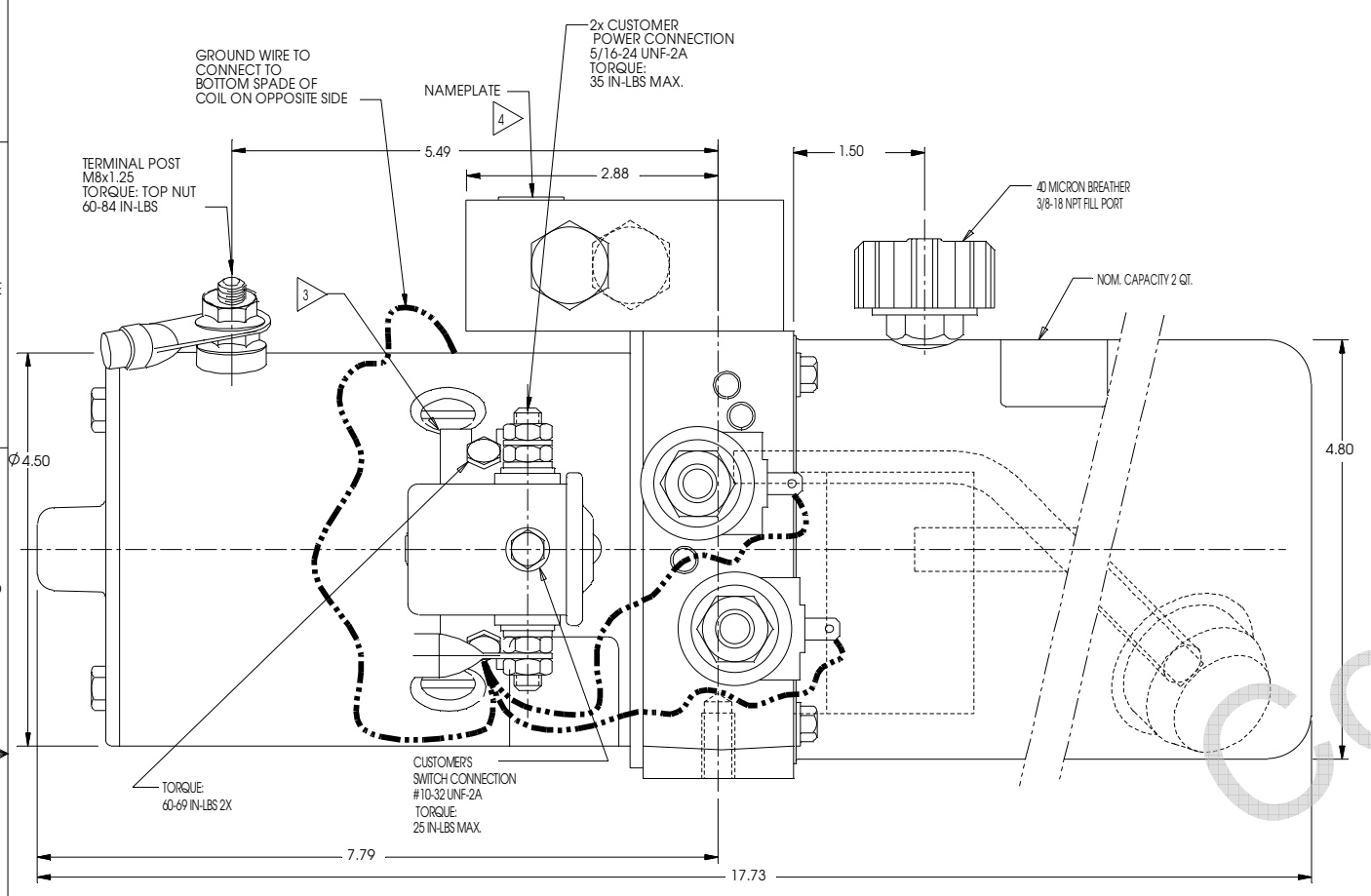


REVISIONS (REFER TO HALDEX DATABASE FOR ANY OLD REVISION NOT SHOWN)					
CHANGE #	REVISION	SYMBOL	DESCRIPTION	DATE	CHK BY
16448	08	S	ADDED EXPLODED VIEW FOR START SWITCH MOUNTING	2/21/2006	JRP
		T	ADDED AN ADDITIONAL STAR WASHER		CDM



NOTE (UNLESS SPECIFIED OTHERWISE):

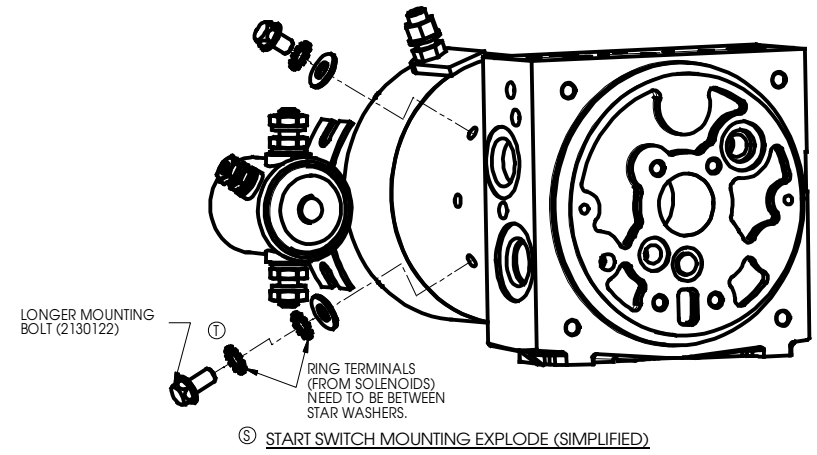
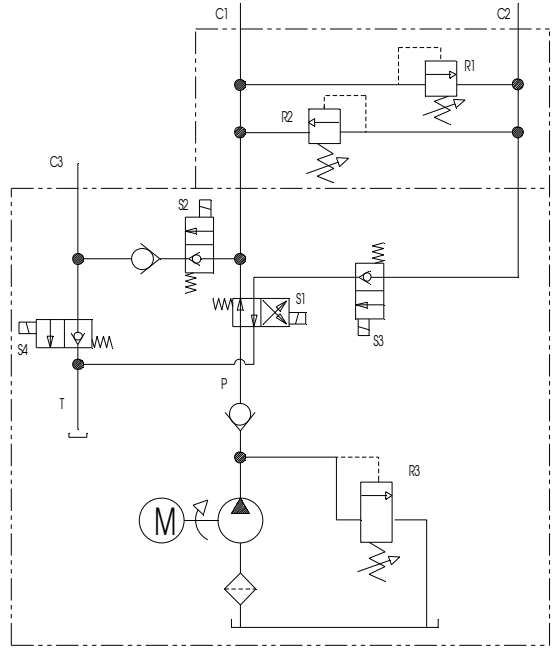
- MARK DATA PLATE AS SHOWN
-
- GROUND WIRE ASSEMBLY TO BE ATTACHED FOR SHIPMENT
 - INSTALL STRAIN RELIEF, START SWITCH, AND REMOTE CONTROL ASSY. TOGETHER, REF. 2690038
 - NAMEPLATE TO BE LOCATED ON TOP OF MANFOLD BLOCK ONLY.
 - TEST PER DRAWING 2900008

CUSTOMER: NORTHERN HYDRULICS PART NUMBER: 1073

GENERAL DATA: DISPLACEMENT: .12936 CU.-IN./REV. (2.1198 cc/REV.)
MOTOR 12 VOLTS. FRAME. INSULATION.
AND UL PRESSURE RATING: PSI (BAR) CONTINUOUS
PSI (BAR) INTERMITTENT

TEST DATA: USING 200 SSU (43 cST) FLUID.
PUMP TO DELIVER 1.6 GPM (6.06 LITERS/MIN.)
@ 1430 PSI (100 BAR) @ 1.75 AMPS ON 12 VOLTS

RELIEF VALVES:
RELIEF SET AT 2500 PSI ——— R1
FULL BY PASS RELIEF SET AT 1800 PSI ——— R2
————— R3



PROPRIETARY AND CONFIDENTIAL

THIS DOCUMENT IS THE PROPERTY OF HALDEX HYDRULICS CORP. NO RIGHT OR LICENSE TO SUCH MATTER IS GIVEN OR WAIVED BY SUPPLYING THIS DOCUMENT. IT IS NOT TO BE COPIED OR DISCLOSED OTHER THAN TO A GOVERNMENT AGENCY EXCEPT ON WRITTEN CONSENT OF HALDEX HYDRULICS CORP. IT MUST ALWAYS CONTAIN THIS NOTICE. THIS DOCUMENT CONTAINS CONFIDENTIAL INFORMATION BELONGING TO HALDEX HYDRULICS CORP. AND IS NOT TO BE USED TO ITS DETRIMENT. ANYONE FAILING TO COMPLY WITH THESE REGULATIONS, SHALL BE SUBJECT TO LEGAL ACTION.

DRAWING INTERPRETATION UNLESS OTHERWISE SPECIFIED INTERPRET PER ANSI Y14.5M 1996 TOLERANCES UNLESS OTHERWISE SPECIFIED		Haldex		2222 15th STREET, ROCKFORD, IL, USA 214 JAMES FARM Rd, STATESVILLE, NC, USA SELIGENWEG 12 D-95228, HOF GERMANY		THIRD ANGLE PROJECTION
MODEL	1510019	DATE	12MAR1990	DATE	12MAR1990	MATL
SUPERSEDED BY		CHK	MLG	DATE		ASSEMBLY
DISTRIBUTION	RK	SCALE	1:1	TITLE	DC POWER UNIT	
FORM/REV	D	SHEET	1 of 1	NUMBER	1510031	REV (A) 08